

SUBMITTAL DATA SHEET



Series Name: Multi Zone Regular Heat Series
Model Number: MO4EX-H27B-2A

Multi Zone Heat Pump System

Location:	Approval:
Engineer:	Date:
Submitted to:	Construction:
Submitted by:	Unit #:
Reference:	Drawing #:



OUTDOOR SPECIFICATION

Compressor Type	ROTARY	
Compressor Model	KTM240D46UKT2	
Refrigerant	R454B	
Refrigerant Oil Charge(mL)	620	
Refrigerant Oil	V74	
Outdoor Air Flow (Max) (CFM)	2131	
Outdoor Noise Level (dBA)	61	
Dimension (W×D×H)	inch	37.24 x 16.14 x 31.89
	mm	946×410×810
Package (W×D×H)	inch	42.91 x 19.68 x 34.84
	mm	1090×500×885
Net/Gross Weight	lbs	138.89/149.69
	kg	63.0/67.9

ELECTRICAL

Power Supply	208/230V,60Hz,1Ph
System MCA	23
Connection Wiring	AWG 14-4
System MOCP	25
Compressor RLA	12.1
Outdoor Fan Motor RLA	1.2
Outdoor Fan Motor W	120
Indoor Fan Motor RLA	/
Indoor Fan Motor W	/
System Power Input @ Cooling (W)	2215/(500 ~ 2960)
System Power Input @ Heating (W)	2165/(500 ~2300)
MCA: Min. circuit amps (A)	MOCP: Max. over current protection (A)
RLA: Rated load amps (A)	W: Fan motor rated output (W)

EFFICIENCY

Cooling		Heating	
SEER2	21.0	HSPF2-4	9.0
EER2	12	COP	3.6

PERFORMANCE of Cooling

Cooling (Btu/hr)	
Rated Capacity	26600
Min/Max Capacity	7200~32000
Moisture Removal(L/h)	0.8
Standard Operating Range(°F/°C)	-13~122/(-25 ~ 50)
Rated Cooling Conditions:	Indoor: 80°F DB/67°F WB Outdoor: 95°F DB/75°F WB

PERFORMANCE of Heating

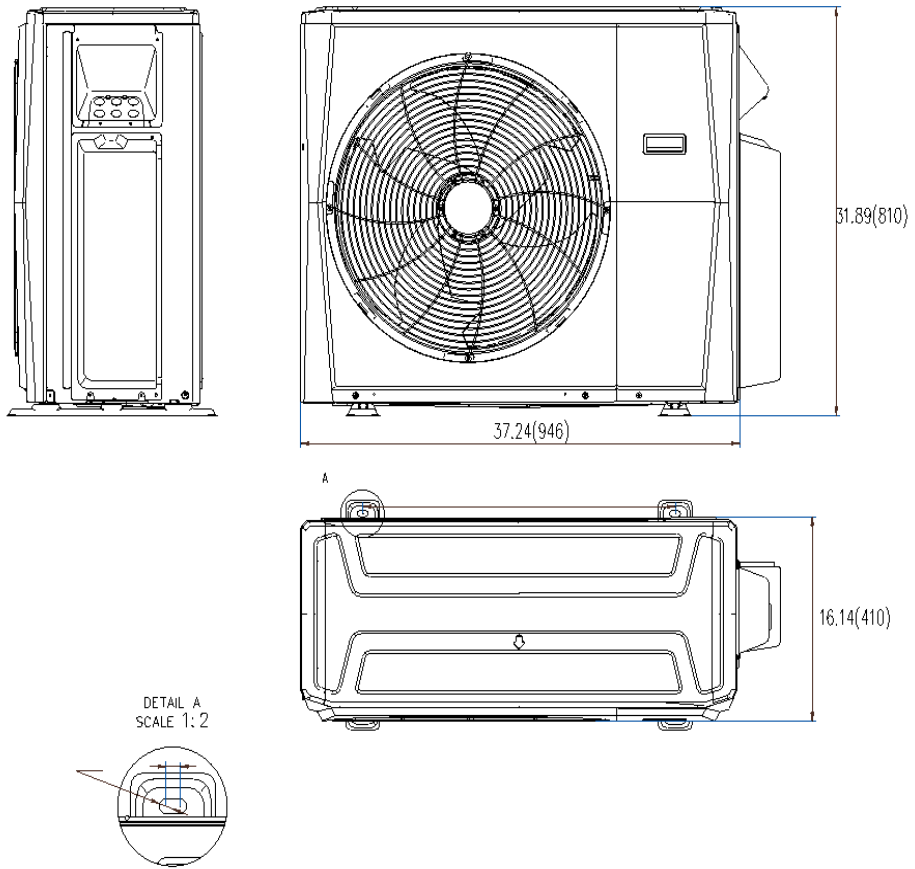
Heating (Btu/hr)	
1. @ 47°F Rated	26600
1. @ 47°F Min/Max Capacity	8400~28800
2. @ 17°F Rated(H32)	18400
3. @ 5°F Rated: Capacity / COP(H4)	18800/2

PIPING

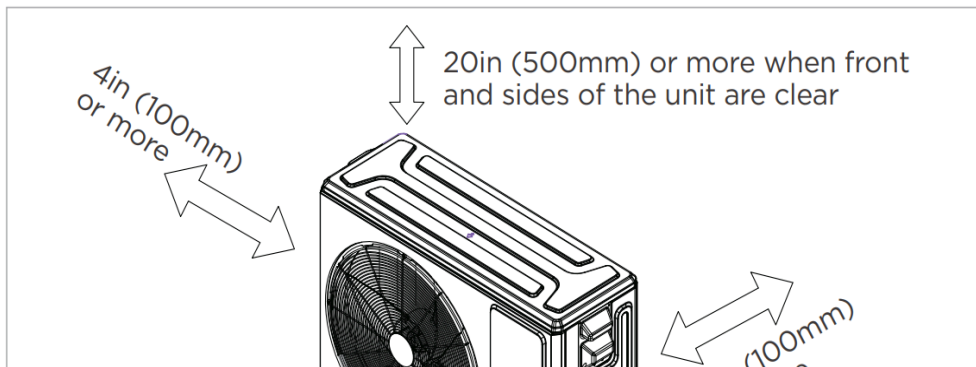
Liquid Size	4x6.35mm(4x1/4in)
Gas Size	3x9.52mm+1x12.7mm(3x3/8in+1x1/2in)
Max. Piping Length for all	262.4/(80)
Max. Piping Length for one	114.8/(35)
Height Difference of IDU and ODU(ft)	49.2/(15)
Refrigerant Pre-charged	84.66/(2.4)
Refrigerant Precharge Length(ft/m)	24.6(7.5)x4
Additional Charge of Refrigerant (Φ6.35 (1/4") liquid pipe) (oz/ft)/(g/m)	0.16/(15)
Additional Charge of Refrigerant (Φ9.52 (3/8") liquid pipe) (oz/ft)/(g/m)	0.32(30)
Connection Method	Flared

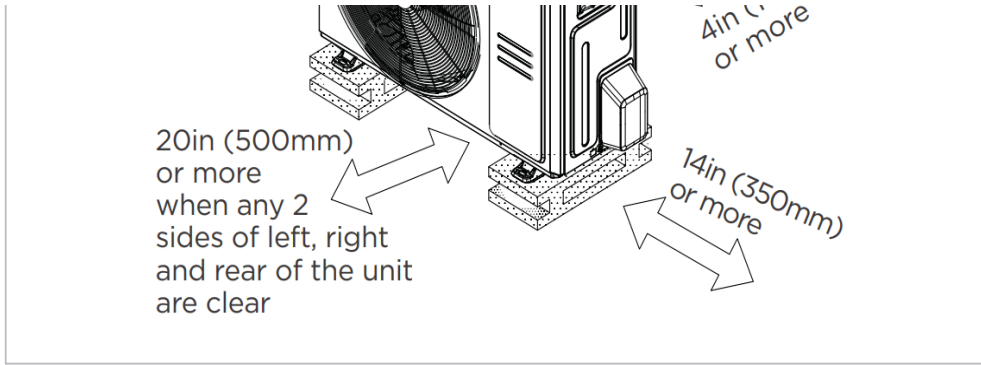
3. @ 5°F Max: Capacity	18800
Standard Operating Range(°F/°C)	-13~75/(-25 ~ 24)
1. Conditions:	Indoor: 70°F DB/60°F WB Outdoor: 47°F DB/43°F WB
2. Conditions:	Indoor: 70°F DB/60°F WB Outdoor: 17°F DB/15°F WB
3. Conditions	Indoor: 70°F DB/60°F WB Outdoor: 5°F DB/5°F WB

Outdoor Unit Dimension



Installation Instruction





- Meets all spatial requirements shown in Installation Clearance Requirements above.