

SUBMITTAL DATA SHEET



Series Name: Multi Zone Hyper Heat Series
Model Number: MO4HX-H27B-2A

Multi Zone Heat Pump System

| | |
|---------------|---------------|
| Location: | Approval: |
| Engineer: | Date: |
| Submitted to: | Construction: |
| Submitted by: | Unit #: |
| Reference: | Drawing #: |



OUTDOOR SPECIFICATION

| | | |
|-------------------------------------|------|-----------------------|
| Compressor Type | | ROTARY |
| Compressor Model | | KTF310D43UMT |
| Refrigerant | | R454B |
| Refrigerant Oil Charge(mL) | | 1000 |
| Refrigerant Oil | | VG74 |
| Outdoor Air Flow (Max) (CFM) | | 2148 |
| Outdoor Noise Level (dBA) | | 61 |
| Dimension (W×D×H) | inch | 37.24 x 16.14 x 31.89 |
| | mm | 946×410×810 |
| Package (W×D×H) | inch | 42.91 x 19.68 x 34.84 |
| | mm | 1090×500×885 |
| Net/Gross Weight | lbs | 168.43/179.67 |
| | kg | 76.4/81.5 |

ELECTRICAL

| | |
|---|---|
| Power Supply | 208/230V,60Hz,1Ph |
| System MCA | 30 |
| Connection Wiring | AWG 14-4 |
| System MOCP | 35 |
| Compressor RLA | 17 |
| Outdoor Fan Motor RLA | 1.3 |
| Outdoor Fan Motor W | 120 |
| Indoor Fan Motor RLA | / |
| Indoor Fan Motor W | / |
| System Power Input @ Cooling (W) | 2125/(500 ~ 3620) |
| System Power Input @ Heating (W) | 2082/(500 ~3400) |
| MCA: Min. circuit amps (A) | MOCP: Max. over current protection (A) |
| RLA: Rated load amps (A) | W: Fan motor rated output (W) |

EFFICIENCY

| Cooling | | Heating | |
|--------------|------|----------------|------|
| SEER2 | 23.0 | HSPF2-4 | 10.5 |
| EER2 | 12.5 | COP | 3.8 |

PERFORMANCE of Cooling

| Cooling (Btu/hr) | |
|--|---|
| Rated Capacity | 27000 |
| Min/Max Capacity | 7200~37000 |
| Moisture Removal(L/h) | 0.8 |
| Standard Operating Range(°F/°C) | -22~122/(-30 ~ 50) |
| Rated Cooling Conditions: | Indoor: 80°F DB/67°F WB Outdoor: 95°F DB/75°F WB |

PERFORMANCE of Heating

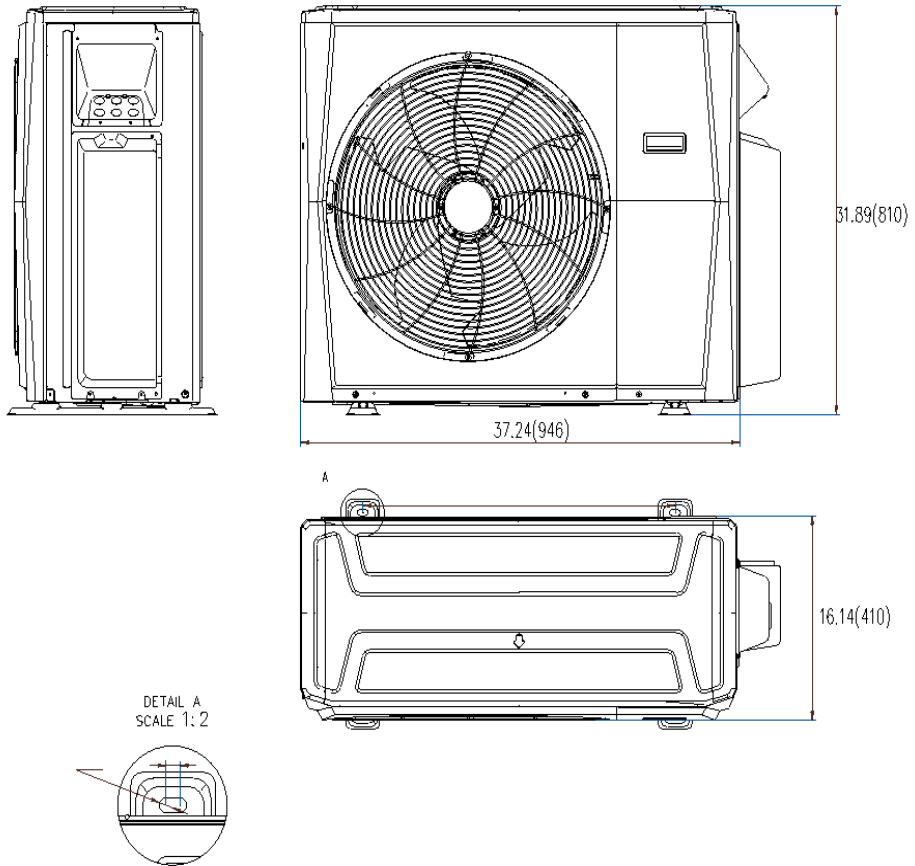
| Heating (Btu/hr) | |
|---|------------|
| 1. @ 47°F Rated | 27000 |
| 1. @ 47°F Min/Max Capacity | 8400~36000 |
| 2. @ 17°F Rated(H32) | 25000 |
| 3. @ 5°F Rated: Capacity / COP(H4) | 27000/2 |

PIPING

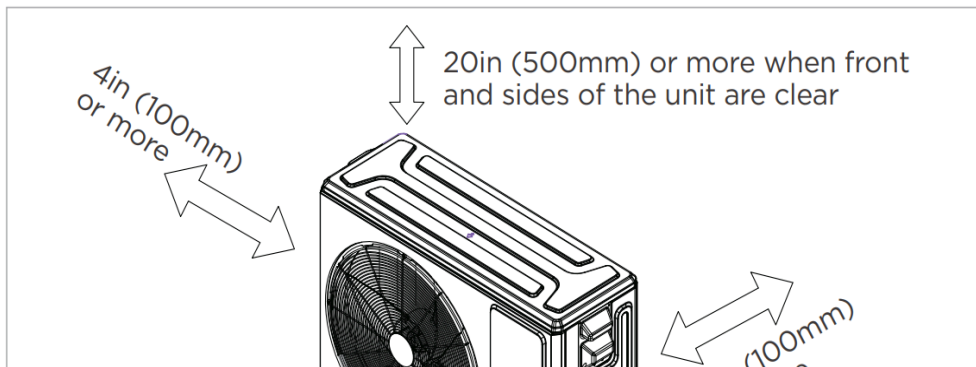
| | |
|--|------------------------------------|
| Liquid Size | 4x6.35mm(4x1/4in) |
| Gas Size | 3x9.52mm+1x12.7mm(3x3/8in+1x1/2in) |
| Max. Piping Length for all | 262.4/(80) |
| Max. Piping Length for one | 114.8/(35) |
| Height Difference of IDU and ODU(ft) | 49.2/(15) |
| Refrigerant Pre-charged | 120.63/(3.42) |
| Refrigerant Precharge Length(ft/m) | 24.6(7.5)x4 |
| Additional Charge of Refrigerant (Φ6.35 (1/4") liquid pipe) | 0.16/(15) |
| Additional Charge of Refrigerant (Φ9.52 (3/8") liquid pipe) | 0.32(30) |
| Connection Method | Flared |

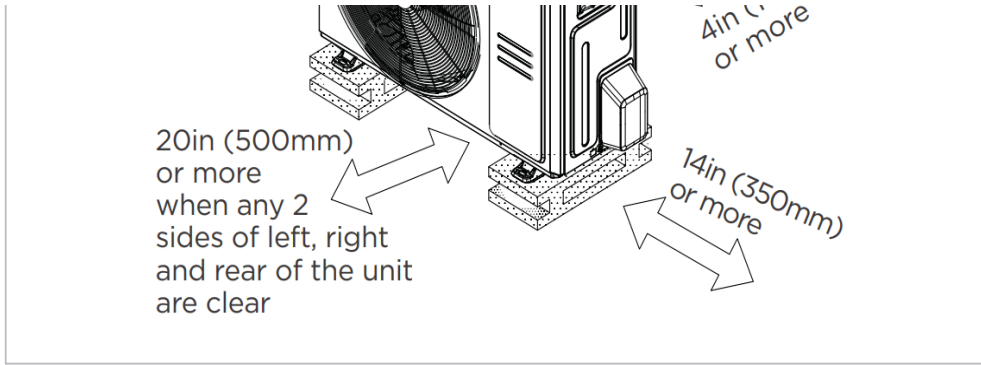
| | |
|--|---|
| 3. @ 5°F Max: Capacity | 27000 |
| Standard Operating Range(°F/°C) | -22~75/(-30 ~ 24) |
| 1. Conditions: | Indoor: 70°F DB/60°F WB Outdoor: 47°F DB/43°F WB |
| 2. Conditions: | Indoor: 70°F DB/60°F WB Outdoor: 17°F DB/15°F WB |
| 3. Conditions | Indoor: 70°F DB/60°F WB Outdoor: 5°F DB/5°F WB |

Outdoor Unit Dimension



Installation Instruction





- Meets all spatial requirements shown in Installation Clearance Requirements above.