

SUBMITTAL DATA SHEET



Series Name: Multi Zone Hyper Heat Series
Model Number: M05HX-H36B-2A

Multi Zone Heat Pump System

| | |
|---------------|---------------|
| Location: | Approval: |
| Engineer: | Date: |
| Submitted to: | Construction: |
| Submitted by: | Unit #: |
| Reference: | Drawing #: |



OUTDOOR SPECIFICATION

| | | |
|-------------------------------------|------|-----------------------|
| Compressor Type | | TWIN-ROTARY |
| Compressor Model | | EKPQ420D1UMUA |
| Refrigerant | | R454B |
| Refrigerant Oil Charge(mL) | | 1460 |
| Refrigerant Oil | | VG75 |
| Outdoor Air Flow (Max) (CFM) | | 3037 |
| Outdoor Noise Level (dBA) | | 65 |
| Dimension (W×D×H) | inch | 38.58 x 16.34 x 38.39 |
| | mm | 980×415×975 |
| Package (W×D×H) | inch | 45.08 x 19.68 x 42.52 |
| | mm | 1145×500×1080 |
| Net/Gross Weight | lbs | 211.86/244.71 |
| | kg | 96.1/111 |

ELECTRICAL

| | |
|---|---|
| Power Supply | 208/230V,60Hz,1Ph |
| System MCA | 37 |
| Connection Wiring | AWG 14-4 |
| System MOCP | 40 |
| Compressor RLA | 20.5 |
| Outdoor Fan Motor RLA | 2.6 |
| Outdoor Fan Motor W | 250 |
| Indoor Fan Motor RLA | / |
| Indoor Fan Motor W | / |
| System Power Input @ Cooling (W) | 3000/(600 ~ 4200) |
| System Power Input @ Heating (W) | 2776/(600 ~3650) |
| MCA: Min. circuit amps (A) | MOCP: Max. over current protection (A) |
| RLA: Rated load amps (A) | W: Fan motor rated output (W) |

EFFICIENCY

| Cooling | | Heating | |
|--------------|------|----------------|------|
| SEER2 | 19.4 | HSPF2-4 | 10.4 |
| EER2 | 12 | COP | 3.8 |

PERFORMANCE of Cooling

| Cooling (Btu/hr) | |
|--|---|
| Rated Capacity | 36000 |
| Min/Max Capacity | 9000~42000 |
| Moisture Removal(L/h) | 2 |
| Standard Operating Range(°F/°C) | -22~122/(-30 ~ 50) |
| Rated Cooling Conditions: | Indoor: 80°F DB/67°F WB Outdoor: 95°F DB/75°F WB |

PERFORMANCE of Heating

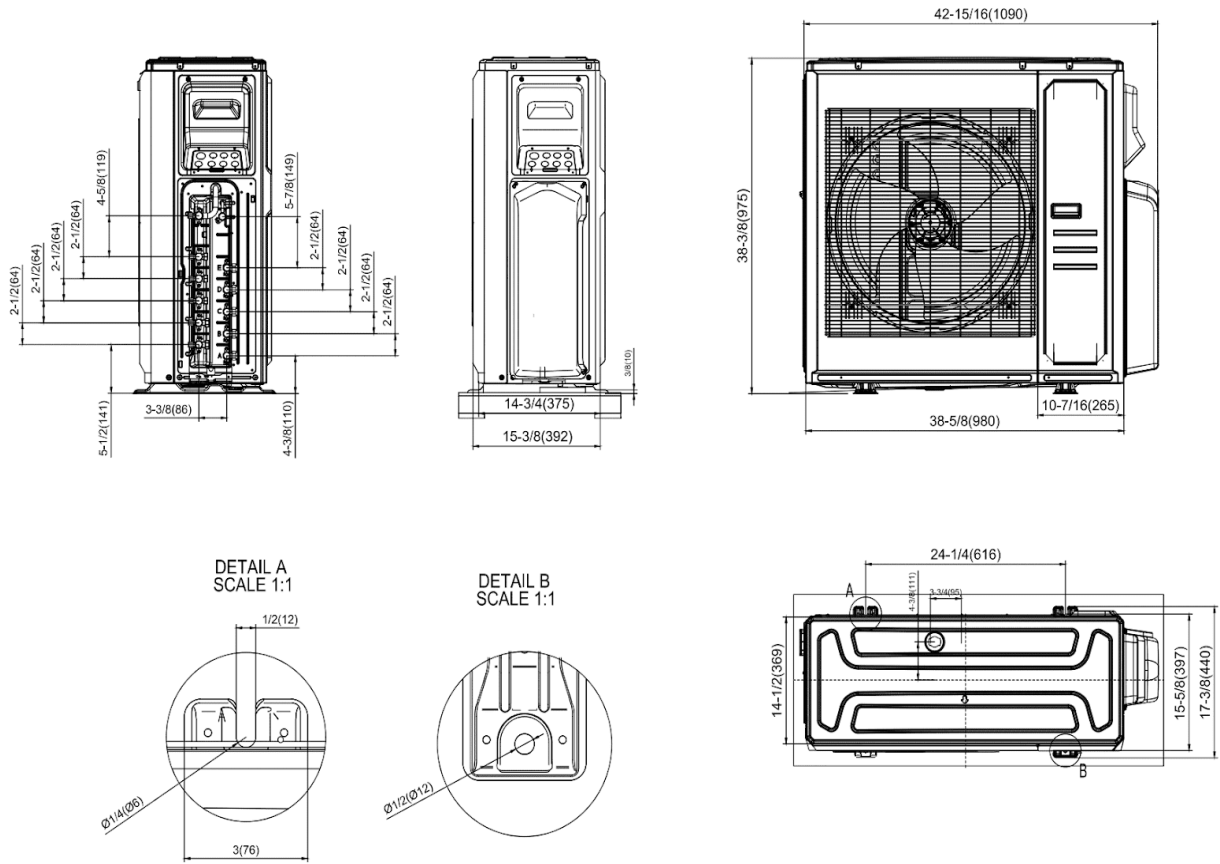
| Heating (Btu/hr) | |
|---|-------------|
| 1. @ 47°F Rated | 36000 |
| 1. @ 47°F Min/Max Capacity | 10000~45000 |
| 2. @ 17°F Rated(H32) | 33000 |
| 3. @ 5°F Rated: Capacity / COP(H4) | 38000/2 |

PIPING

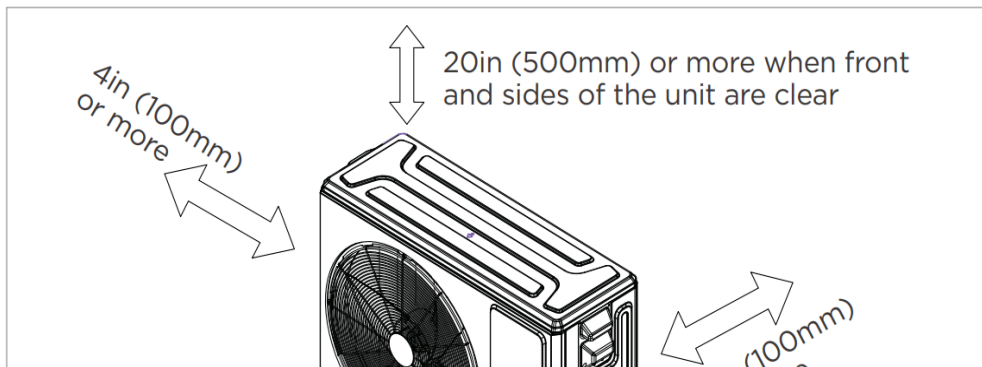
| | |
|--|------------------------------------|
| Liquid Size | 5x6.35mm(5x1/4in) |
| Gas Size | 3x9.52mm+2x12.7mm(3x3/8in+2x1/2in) |
| Max. Piping Length for all | 262.4/(80) |
| Max. Piping Length for one | 114.8/(35) |
| Max. Height Difference of IDU and ODU(ft) | 49.2/(15) |
| Refrigerant Pre-charged | 134.04/(3.8) |
| Refrigerant Precharge Length(ft/m) | 24.6(7.5)x5 |
| Additional Charge of Refrigerant (Φ6.35 (1/4") liquid pipe) | 0.16/(15) |
| Additional Charge of Refrigerant (Φ9.52 (3/8") liquid pipe) | 0.32(30) |
| Connection Method | Flared |

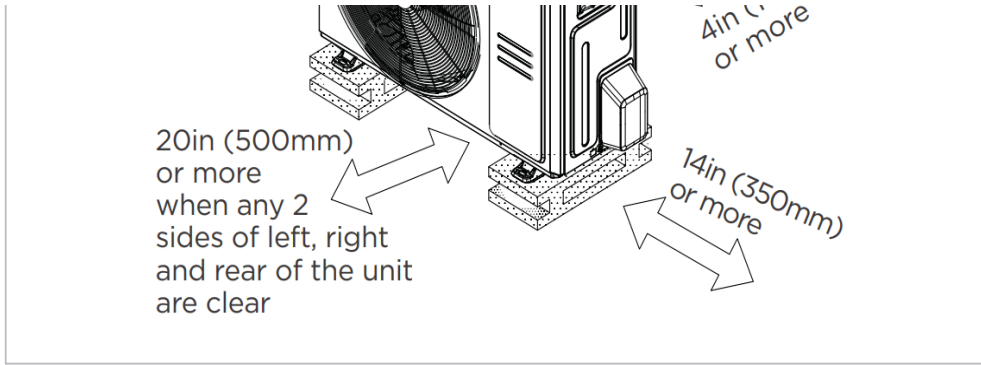
| | |
|--|---|
| 3. @ 5°F Max: Capacity | 38000 |
| Standard Operating Range(°F/°C) | -22~75/(-30 ~ 24) |
| 1. Conditions: | Indoor: 70°F DB/60°F WB Outdoor: 47°F DB/43°F WB |
| 2. Conditions: | Indoor: 70°F DB/60°F WB Outdoor: 17°F DB/15°F WB |
| 3. Conditions | Indoor: 70°F DB/60°F WB Outdoor: 5°F DB/5°F WB |

Outdoor Unit Dimension



Installation Instruction





- Meets all spatial requirements shown in Installation Clearance Requirements above.