

SUBMITTAL DATA SHEET



Series Name: Multi Zone Regular Heat Series
Model Number: MO6EX-H48B-2A

Multi Zone Heat Pump System

Location:	Approval:
Engineer:	Date:
Submitted to:	Construction:
Submitted by:	Unit #:
Reference:	Drawing #:



OUTDOOR SPECIFICATION

Compressor Type	ROTARY	
Compressor Model	KTQ420D1UMU	
Refrigerant	R454B	
Refrigerant Oil Charge(mL)	1400	
Refrigerant Oil	V74	
Outdoor Air Flow (Max) (CFM)	4503	
Outdoor Noise Level (dBA)	63	
Dimension (W×D×H)	inch	37.48 x 16.34 x 52.48
	mm	952×415×1333
Package (W×D×H)	inch	43.11 x 19.49 x 58.27
	mm	1095×495×1480
Net/Gross Weight	lbs	222.00/254.19
	kg	100.7/115.3

ELECTRICAL

Power Supply	208/230V,60Hz,1Ph
System MCA	34
Connection Wiring	AWG 14-4
System MOCP	40
Compressor RLA	24
Outdoor Fan Motor RLA	2.5
Outdoor Fan Motor W	85
Indoor Fan Motor RLA	/
Indoor Fan Motor W	/
System Power Input @ Cooling (W)	3764/(800 ~ 5800)
System Power Input @ Heating (W)	3702/(800 ~5200)
MCA: Min. circuit amps (A)	MOCP: Max. over current protection (A)
RLA: Rated load amps (A)	W: Fan motor rated output (W)

EFFICIENCY

Cooling		Heating	
SEER2	24.0	HSPF2-4	10.3
EER2	12.5	COP	3.8

PERFORMANCE of Cooling

Cooling (Btu/hr)	
Rated Capacity	47000
Min/Max Capacity	12000~55000
Moisture Removal(L/h)	3.3
Standard Operating Range(°F/°C)	-13~122/(-25 ~ 50)
Rated Cooling Conditions:	Indoor: 80°F DB/67°F WB Outdoor: 95°F DB/75°F WB

PERFORMANCE of Heating

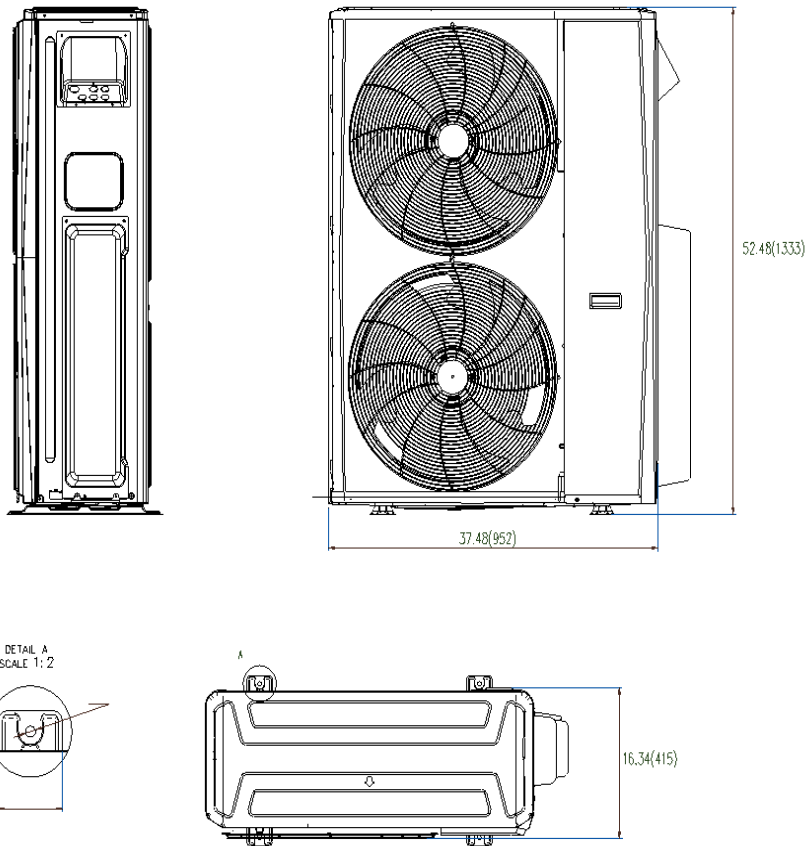
Heating (Btu/hr)	
1. @ 47°F Rated	48000
1. @ 47°F Min/Max Capacity	13000~53000
2. @ 17°F Rated(H32)	38000
3. @ 5°F Rated: Capacity / COP(H4)	36000/2

PIPING

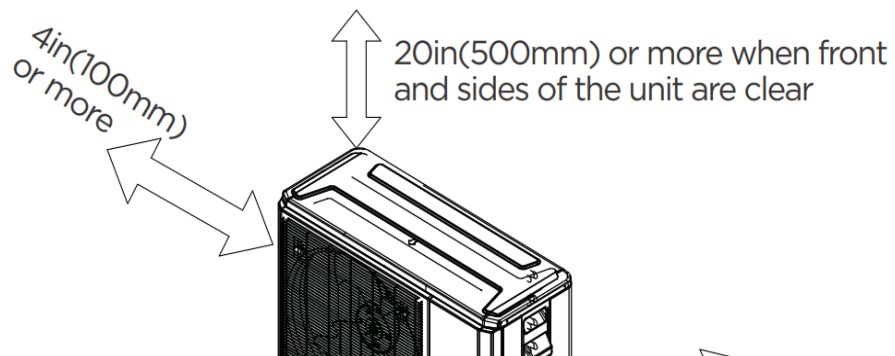
Liquid Size	6x6.35mm(6x1/4in)
Gas Size	4x9.52mm+2x12.7mm(4x3/8in+2x1/2in)
Max. Piping Length for all	262.4/(80)
Max. Piping Length for one	114.8/(35)
Height Difference of IDU and ODU(ft)	49.2/(15)
Refrigerant Pre-charged	148.15/(4.2)
Refrigerant Precharge Length(ft/m)	24.6(7.5)x6
Additional Charge of Refrigerant (Φ6.35 (1/4") liquid pipe)	0.16/(15)
Additional Charge of Refrigerant (Φ9.52 (3/8") liquid pipe)	0.32(30)
Connection Method	Flared

3. @ 5°F Max: Capacity	36000
Standard Operating Range(°F/°C)	-13~75/(-25 ~ 24)
1. Conditions:	Indoor: 70°F DB/60°F WB Outdoor: 47°F DB/43°F WB
2. Conditions:	Indoor: 70°F DB/60°F WB Outdoor: 17°F DB/15°F WB
3. Conditions	Indoor: 70°F DB/60°F WB Outdoor: 5°F DB/5°F WB

Outdoor Unit Dimension



Installation Instruction



20in(500mm)
or more
when any 2
sides of left, right
and rear of the unit
are clear

