

SUBMITTAL DATA SHEET

Series Name: Multi Zone Hyper Heat Series

Model Number: MO6HX-H60B-2A



Multi Zone Heat Pump System

Location:	Approval:
Engineer:	Date:
Submitted to:	Construction:
Submitted by:	Unit #:
Reference:	Drawing #:



OUTDOOR SPECIFICATION

Compressor Type		TWIN-ROTARY
Compressor Model		EKPQ440D1UMUB
Refrigerant		R454B
Refrigerant Oil Charge(mL)		1300
Refrigerant Oil		VG75
Outdoor Air Flow (Max) (CFM)		4503
Outdoor Noise Level (dBA)		65
Dimension (W×D×H)	inch	37.48 x 16.34 x 52.48
	mm	952×415×1333
Package (W×D×H)	inch	43.11 x 19.49 x 58.27
	mm	1095×495×1480
Net/Gross Weight	lbs	246.47/276.68
	kg	111.8/125.5

ELECTRICAL

Power Supply	208/230V,60Hz,1Ph
System MCA	39.5
Connection Wiring	AWG 14-4
System MOCP	40
Compressor RLA	28
Outdoor Fan Motor RLA	2.5
Outdoor Fan Motor W	85
Indoor Fan Motor RLA	/
Indoor Fan Motor W	/
System Power Input @ Cooling (W)	4250/(1200 ~ 5400)
System Power Input @ Heating (W)	4605/(1200 ~5200)
MCA: Min. circuit amps (A)	MOCP: Max. over current protection (A)
RLA: Rated load amps (A)	W: Fan motor rated output (W)

EFFICIENCY

Cooling		Heating	
SEER2	22.2	HSPF2-4	10.5
EER2	12	COP	3.5

PERFORMANCE of Cooling

Cooling (Btu/hr)	
Rated Capacity	51000
Min/Max Capacity	19000~59000
Moisture Removal(L/h)	2.5
Standard Operating Range(°F/°C)	-22~122/(-30 ~ 50)
Rated Cooling Conditions:	Indoor: 80°F DB/67°F WB Outdoor: 95°F DB/75°F WB

PERFORMANCE of Heating

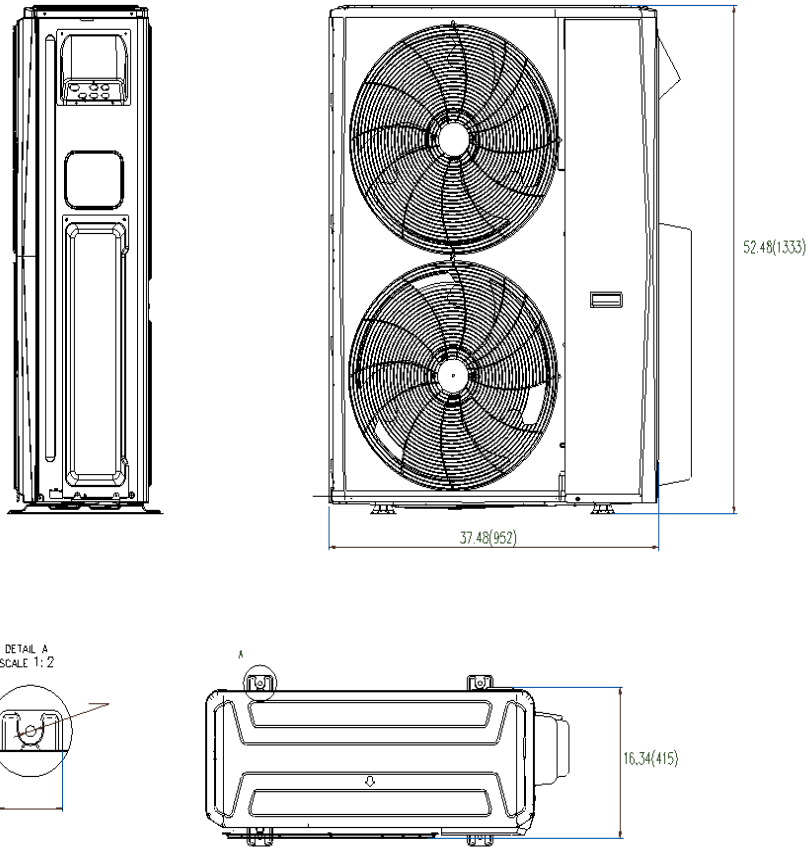
Heating (Btu/hr)	
1. @ 47°F Rated	55000
1. @ 47°F Min/Max Capacity	20000~59000
2. @ 17°F Rated(H32)	44000
3. @ 5°F Rated: Capacity / COP(H4)	47000/2

PIPING

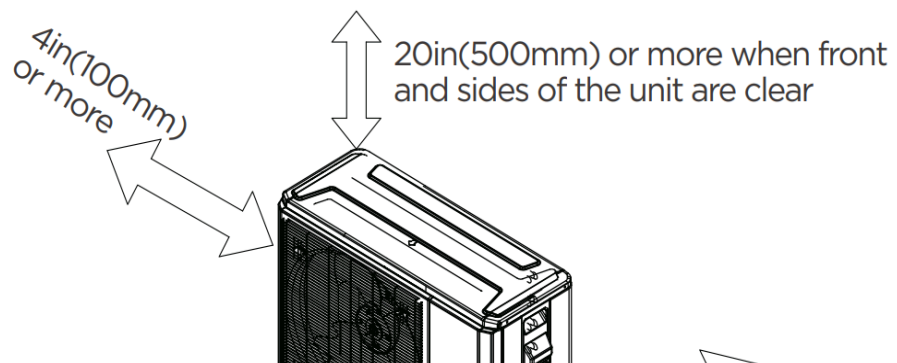
Liquid Size	6x6.35mm(6x1/4in)
Gas Size	4x9.52mm+2x12.7mm(4x3/8in+2x1/2in)
Max. Piping Length for all	262.4/(80)
Max. Piping Length for one	114.8/(35)
Height Difference of IDU and ODU(ft)	49.2/(15)
Refrigerant Pre-charged	151.68/(4.3)
Refrigerant Precharge Length(ft/m)	24.6(7.5)x6
Additional Charge of Refrigerant (Φ6.35 (1/4") liquid pipe)	0.16/(15)
Additional Charge of Refrigerant (Φ9.52 (3/8") liquid pipe)	0.32(30)
Connection Method	Flared

3. @ 5°F Max: Capacity	47000
Standard Operating Range(°F/°C)	-22~75/(-30 ~ 24)
1. Conditions:	Indoor: 70°F DB/60°F WB Outdoor: 47°F DB/43°F WB
2. Conditions:	Indoor: 70°F DB/60°F WB Outdoor: 17°F DB/15°F WB
3. Conditions	Indoor: 70°F DB/60°F WB Outdoor: 5°F DB/5°F WB

Outdoor Unit Dimension



Installation Instruction



20in(500mm)
or more
when any 2
sides of left, right
and rear of the unit
are clear

