

# SUBMITTAL DATA SHEET

Series Name: Electric Heater  
Model Number: EAH-03D(UL)



## Heater

Location: \_\_\_\_\_  
 Engineer: \_\_\_\_\_  
 Submitted to: \_\_\_\_\_  
 Submitted by: \_\_\_\_\_  
 Reference: \_\_\_\_\_

Approval: \_\_\_\_\_  
 Date: \_\_\_\_\_  
 Construction: \_\_\_\_\_  
 Unit #: \_\_\_\_\_  
 Drawing #: \_\_\_\_\_

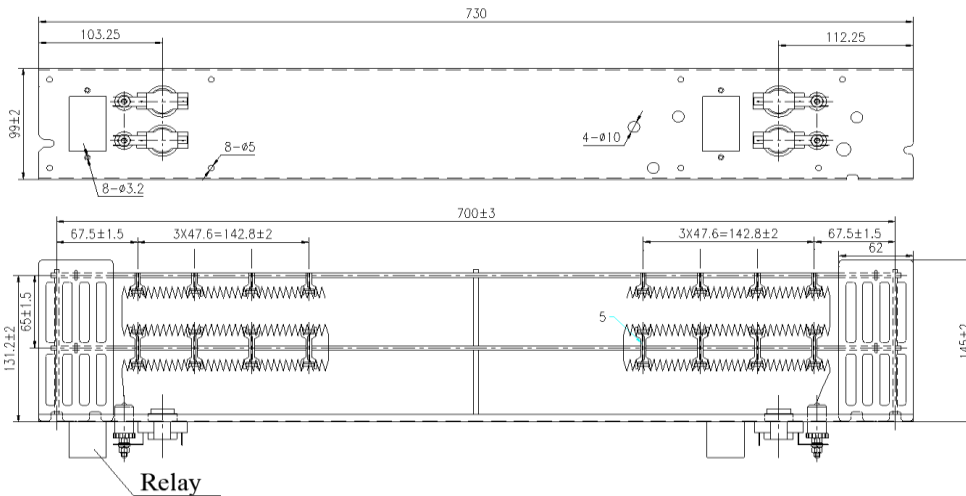
## SPECS

<b>Code</b>	22013201000001	
<b>Model</b>	EAH-03D(UL)	
<b>Normal Operational Voltage</b>	(V, Ph, Hz)	208/230, 1, 60
<b>Current</b>	A	11.0/12.5
<b>Heat Power</b>	kW	2.26/2.75
<b>MCA</b>	A	14/16
<b>MAX. FUSE</b>	A	15/20
<b>Heater dimension</b>	mm	730 x 99 x 190
	inch	28.74 x 3.90 x 7.48
<b>Packaging dimension</b>	mm	805 x 315 x 165
	inch	31.69 x 12.40 x 6.50
<b>Net Weight</b>	kg	1.8
	lbs	4.0
<b>Gross Weight</b>	kg	4.6
	lbs	10.14





## Heater dimension

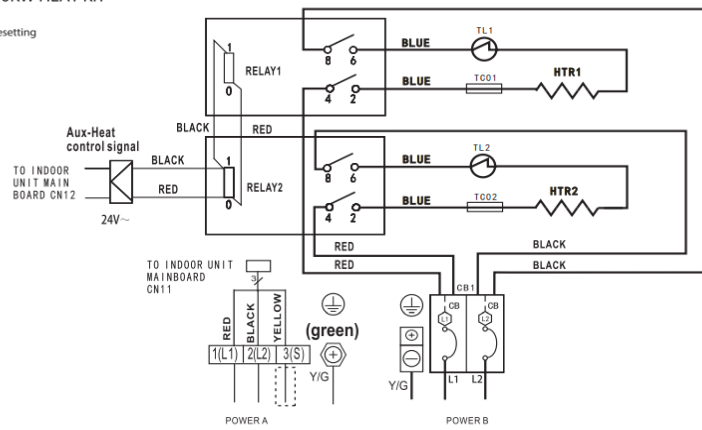
unit: Inch (mm)

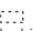


## Wiring diagram

### 3KW/5KW/8KW/10KW HEAT KIT

 : thermal cut-out  
 : thermal link, self-resetting



NOTE 1:   
 This symbol indicates the element is optional. The wiring type of the actual unit shall prevail.

NOTE 2:  
 Please attach the nameplate to the cover of the electric control box.  
 Please refer to the Installation Manual for details.

NOTE 3:  
 TO BE WIRED IN ACCORDANCE WITH  
 NEC AND LOCAL CODES.

NOTE 4:  
 POWER A, B, C, D ARE DIFFERENT POWERS.

The wiring mode of power supply A shall be based on the type of original wiring terminal of AHU; for type A, S position must be connected to the outdoor S; for type B, S position shall not be connected.



## **North American HVAC Products Ltd.**

---

Add.: #100 5118 N Fraser Wy, Burnaby, BC V5J 0H1

Tel: 604-430-8496 [info@nahvac.com](mailto:info@nahvac.com) [www.nahvac.com](http://www.nahvac.com)

Midea reserves the right to change the specifications of the product, and to withdraw or replace products without prior notification or public announcement.  
Midea is constantly developing and improving its products.