

SUBMITTAL DATA SHEET



Series Name: Electric Heater
Model Number: EAH-08D(UL)

Heater

Location: _____
Engineer: _____
Submitted to: _____
Submitted by: _____
Reference: _____

Approval: _____
Date: _____
Construction: _____
Unit #: _____
Drawing #: _____

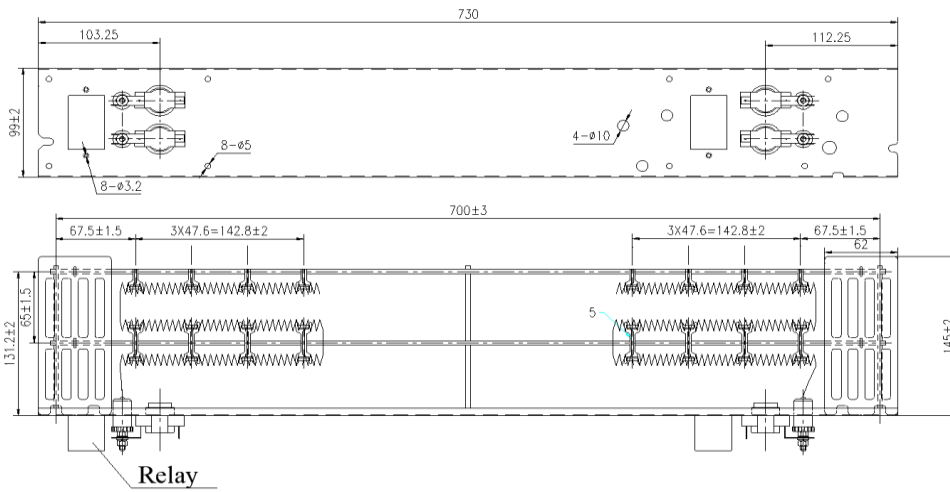
SPECS

| | | |
|-----------------------------------|----------------|----------------------|
| Code | 22013201000003 | |
| Model | EAH-08D(UL) | |
| Normal Operational Voltage | (V, Ph, Hz) | 208/230, 1, 60 |
| Current | A | 29.0/31.5 |
| Heat Power | kW | 5.90/7.10 |
| MCA | A | 36.5/40.0 |
| MAX. FUSE | A | 40.0/45.0 |
| Heater dimension | mm | 730 x 99 x 190 |
| | inch | 28.74 x 3.90 x 7.48 |
| Packaging dimension | mm | 805 x 315 x 165 |
| | inch | 31.69 x 12.40 x 6.50 |
| Net Weight | kg | 1.8 |
| | lbs | 4.0 |
| Gross Weight | kg | 4.6 |
| | lbs | 10.14 |





Heater dimension

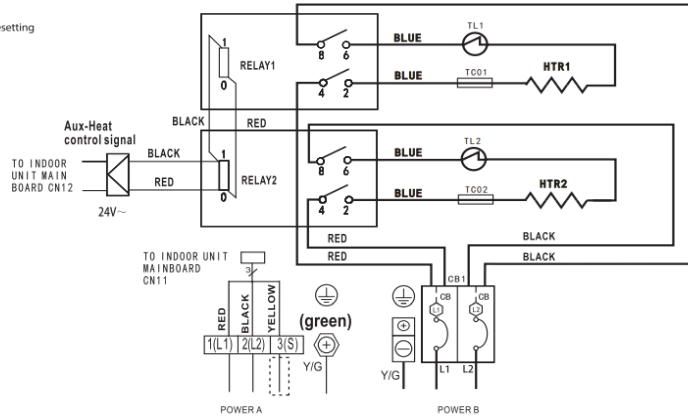
unit: Inch (mm)



Wiring diagram

3KW/5KW/8KW/10KW HEAT KIT

-  :thermal cut-out
-  :thermal link, self-resetting



NOTE 1: [Symbol]
 This symbol indicates the element is optional. The wiring type of the actual unit shall prevail.

NOTE 2:
 Please attach the nameplate to the cover of the electric control box. Please refer to the Installation Manual for details.

NOTE 3:
 TO BE WIRED IN ACCORDANCE WITH NEC AND LOCAL CODES.

NOTE 4:
 POWER A, B, C, D ARE DIFFERENT POWERS.

The wiring mode of power supply A shall be based on the type of original wiring terminal of AHU; for type A, S position must be connected to the outdoor S; for type B, S position shall not be connected.



North American HVAC Products Ltd.

Add.: #100 5118 N Fraser Wy, Burnaby, BC V5J 0H1

Tel: 604-430-8496 info@nahvac.com www.nahvac.com

Midea reserves the right to change the specifications of the product, and to withdraw or replace products without prior notification or public announcement.
Midea is constantly developing and improving its products.