

Midea EVOX R-410A 24V Quick Start Guide

Midea wiring connection guide

*Note: Power Unit off before changing dip switch settings

Scenario	Controller	Indoor unit	Outdoor unit	Connection between Indoor and outdoor	Air Handling Unit Dip Switch Settings		Outdoor Unit Switch Settings
					SW1-1	SW1-4	S1-2
Scenario 1 (Recommend)	Midea controller (Standard/M-station)	Midea AHU	Midea ODU	RS485: S1/S2	OFF (Default)	OFF (Default)	OFF (Default)
Scenario 2	24V Thermostat	Midea AHU	Midea ODU	RS485: S1/S2	ON	OFF (Default)	OFF (Default)
Scenario 3	24V Thermostat	Midea AHU	Midea ODU	24V: R/C/B/Y1/Y2/G/W	ON	ON	ON
Scenario 4	24V Thermostat	Midea AHU	Third Party ODU	24V: R/C/B/Y1/Y2/G/W	ON	ON	n/a
Scenario 5	24V Thermostat	Third party AHU or A-COIL	Midea ODU	24V: R/C/B/Y1/Y2/G/W	n/a	n/a	ON

Scenario 1: Factory Control System

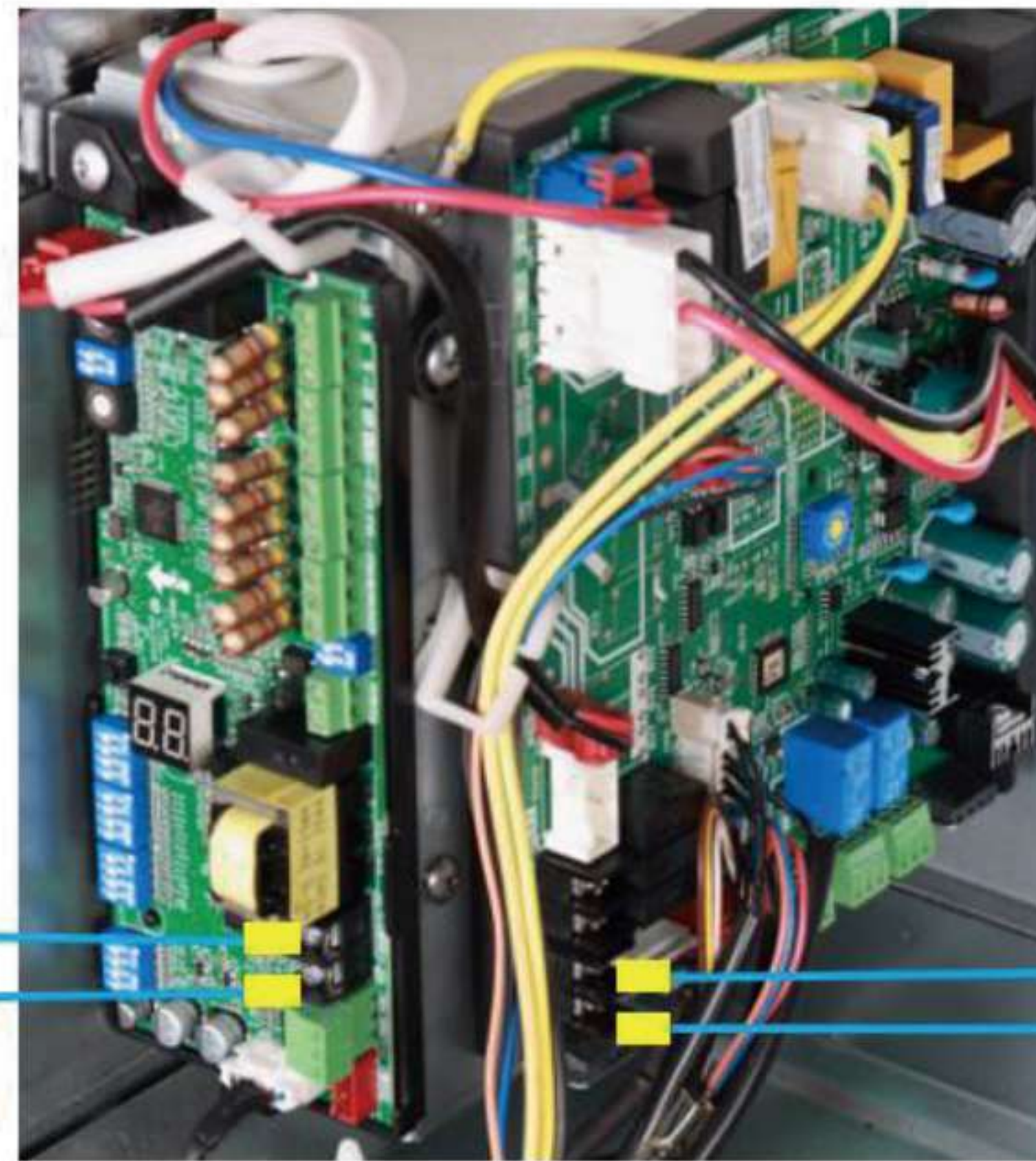
Midea controller (Standard/M-Station)



Order Separately

HA/HB +

Midea R-410A Gen 2 Air Handler



S1/S2 +

Midea R-410A Outdoor unit



S1 /S2
14-2 Multi-Strand Shielded



HA/HB



NAHVAC
North American HVAC

North American HVAC Products Ltd.

Add.: #100 5118 N Fraser Wy, Burnaby, BC V5J 0H1

Tel: 604-430-8496 info@nahvac.com www.nahvac.com

Midea EVOX R-410A 24V Quick Start Guide

Scenario 2:

24V Thermostat — 24V — Midea R-410A Gen 2 Air Handler — S1/S2 — Midea R-410A Outdoor unit

Nest 24V thermostat as an example

SW1-1 dip switch to be "ON"

*** NOTE: Turn Power off before changing Dip Switch Settings**

Scenario 3:

24V Thermostat — 24V — Midea R-410A Gen 2 Air Handler — 24V — Midea R-410A Outdoor unit

Nest 24V thermostat as an example

SW1-1 dip switch to be "ON"

SW1-4 dip switch to be "ON"

S1-2 dip switch to be "ON"

WARNING!!!
Do not apply 24V to terminals S1 & S2 !

Note: Power off units before changing Dip Switch settings



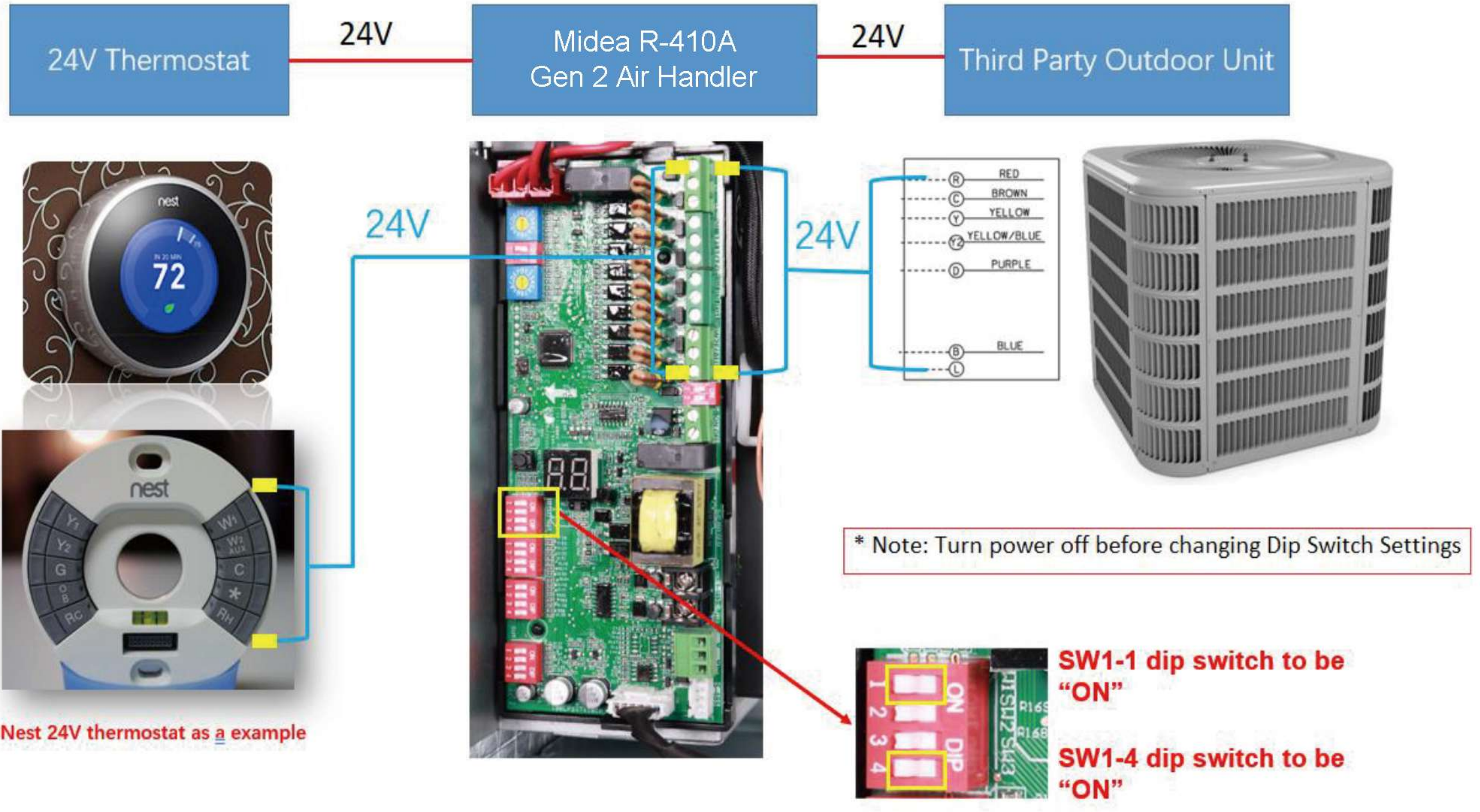
North American HVAC Products Ltd.

Add.: #100 5118 N Fraser Wy, Burnaby, BC V5J 0H1

Tel: 604-430-8496 info@nahvac.com www.nahvac.com

Midea EVOX R-410A 24V Quick Start Guide

Scenario 4:



Scenario 5:

