

Heat Pump System

Location:	Approval:
Engineer:	Date:
Submitted to:	Construction:
Submitted by:	Unit #:
Reference:	Drawing #:



Item	Unit	Specification
------	------	---------------

Performance Data

Cooling Capacity*	Btu/h	30,000
Heating Capacity*	Btu/h	30,000
Design Pressure	PSIG	550 / 340
Refrigerant Type	-	R454b
Liquid Side	inch(mm)	3/8" (9.52mm)
Gas Side	inch(mm)	5/8" (15.9mm)
Drain Pipe Size	inch(mm)	3/4" (19mm)
Indoor Operation Range of Cooling	Deg.°F (°C)	60°F~90°F (16°C~32°C)
Indoor Operation Range of Heating	Deg.°F (°C)	32°F~86°F (0°C~30°C)

Electrical

Normal Operational Voltage	V, Ph, Hz	208/230V, 1Ph, 60Hz
Voltage Range	V	187-253
Connection Wiring	-	AWG 14/4
MCA	A	6.0
Indoor Fan Motor Model	-	ZKFD-375-8-1-1
Indoor Fan Motor Output	W	375
Indoor Fan Motor RLA	A	4.5
Indoor Fan Motor Speed(Hi/Mi/Lo)	r/min	900 / 700 / 500

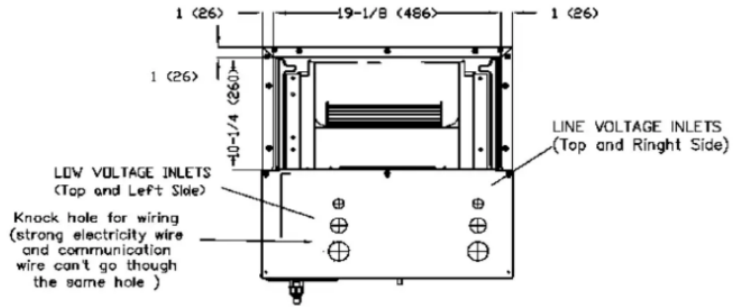
Air Flow & Noise Level

Indoor Air Flow (H/M/L)	CFM	989 / 895 / 806 / 712 / 712
Indoor Noise Level (H/M/L)	dB(A)	44 / 44 / 41 / 26 / 26
Dimension (W×D×H)	inch	17-1/2 x 21 x 45
	mm	534 × 445 × 1143
Package (W×D×H)	inch	26-1/2 x 20-7/8 x 48-5/8
	mm	675 × 530 × 1235
Net Weight / Gross Weight	lbs	128 / 152
	kg	57.8 / 68.8

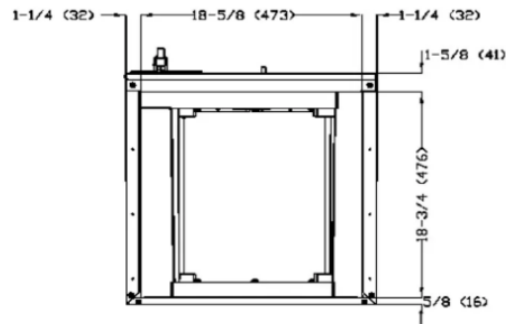
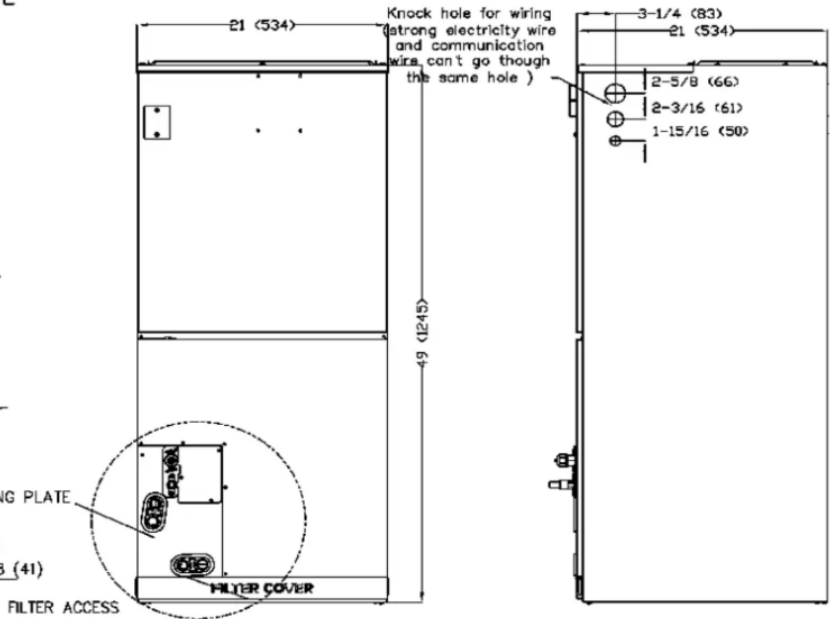
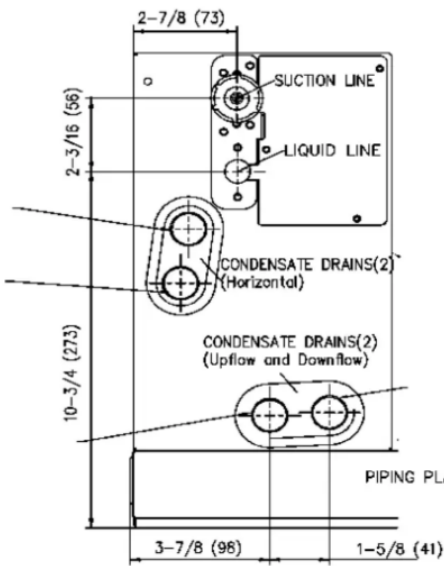
*Standard capacity of indoor unit is for reference, capacity varies based on Multi-zone system combinations.

Indoor Unit Dimension

Unit: inch(mm)



DETAIL OF PIPING PLATE



North American HVAC Products Ltd.

Add.: #100 5118 N Fraser Wy, Burnaby, BC V5J 0H1

Tel: 604-430-8496 info@nahvac.com www.nahvac.com

Midea reserves the right to change the specifications of the product, and to withdraw or replace products without prior notification or public announcement.
Midea is constantly developing and improving its products.