

# R454b Refrigerant

# SUBMITTAL DATA SHEET



Series Name: Regular Heat AHU Series  
Model Number: MAUHE-H18B-2A/MO1BE-H18B-2A

### Air Handler Heat Pump System

|               |               |
|---------------|---------------|
| Location:     | Approval:     |
| Engineer:     | Date:         |
| Submitted to: | Construction: |
| Submitted by: | Unit #:       |
| Reference:    | Drawing #:    |



### INDOOR SPECIFICATION

|   |                             |                          |
|---|-----------------------------|--------------------------|
| Indoor Air Flow (Turbo/H/M/L/Si) (CFM)    | 618 / 577 / 530 / 488 / 488 |                          |
| Indoor Noise Level (Turbo/H/M/L/Si) (dBA) | 44 / 43/ 41 / 33/ 33        |                          |
| Dimension (W×D×H)                         | inch                        | 17-1/2 x 21 x 45         |
|   | mm                          | 445 x 534 x 1143         |
| Package (W×D×H)                           | inch                        | 26-5/8 x 20-7/8 x 48-5/8 |
|   | mm                          | 675 x 530 x 1235         |
| Net/Gross Weight                          | lbs                         | 106 /127                 |
|   | kg                          | 48 / 57.5                |

### OUTDOOR SPECIFICATION

|                              |              |                        |
|------------------------------|--------------|------------------------|
| Compressor Type              | ROTARY       |                        |
| Compressor Model             | KSN140D58UFZ |                        |
| Refrigerant                  | R454B        |                        |
| Refrigerant Oil Charge(mL)   | 440          |                        |
| Refrigerant Oil              | VG74         |                        |
| Outdoor Air Flow (Max) (CFM) | 1,451        |                        |
| Outdoor Noise Level (dBA)    | 55           |                        |
| Dimension (W×D×H)            | inch         | 31-3/4 x 13 x 21-3/4   |
|                              | mm           | 805 x330 x554          |
| Package (W×D×H)              | inch         | 36 x 14-9/16 x 24-3/16 |
|                              | mm           | 915x370x615            |
| Net/Gross Weight             | lbs          | 77 /84                 |
|                              | kg           | 35 / 38                |

### EFFICIENCY

| Cooling |      | Heating |      |
|---------|------|---------|------|
| SEER2   | 18.8 | HSPF2-4 | 9.1  |
| EER2    | 11.0 | COP     | 3.15 |

### PERFORMANCE of Cooling

| Cooling (Btu/hr)                |   |
|---------------------------------|---|
| Rated Capacity                  | 18,000  |
| Min/Max Capacity                | 5,350 ~ 20,000                                      |
| Moisture Removal(L/h)           | 1.71  |
| Standard Operating Range(*F/*C) | -13~122(-25 ~ 50)                                   |
| Rated Cooling Conditions:       | Indoor: 80°F DB/67°F WB<br>Outdoor: 95°F DB/75°F WB |

### PERFORMANCE of Heating

| Heating (Btu/hr)  |   |
|---|---|
| 1. @ 47°F Rated   | 18,000  |
| 2. @ 47°F Min/Max Capacity                                    | 5,600 ~ 19,000                                      |
| 3. @ 17°F Rated   | 12,600  |
| 4. @ 5°F Rated: Capacity / COP                                | 11,200 / 2  |
| 5. @ 5°F Max: Capacity  | 11,200  |
| Standard Operating Range(*F/*C)                               | -13~75(-25 ~ 24)                                    |
| 1. Rated Heating Conditions:                                  | Indoor: 70°F DB/60°F WB<br>Outdoor: 47°F DB/43°F WB |
| 2. Rated Heating Conditions:                                  | Indoor: 70°F DB/60°F WB<br>Outdoor: 17°F DB/15°F WB |
| 3. Heating Conditions, Compressor Operating at Max. Frequency | Indoor: 70°F DB/60°F WB<br>Outdoor: 5°F DB/5°F WB   |

### ELECTRICAL

|                                  |  |
|----------------------------------|--|
| Indoor Power Supply              | 115/208/230V,60Hz,1Ph                  |
| Indoor MCA 115V/(208/230V)       | 5.5/4.0                                |
| Indoor MOP                       | 15.0                                   |
| Outdoor Power Supply             | 208/230V,60Hz,1Ph                      |
| Outdoor MCA                      | 16.0                                   |
| Outdoor MOP                      | 20.0                                   |
| Communication Wiring             | AWG 20/2                               |
| Compressor RLA                   | 10.0                                   |
| Outdoor Fan Motor RLA            | 0.8                                    |
| Outdoor Fan Motor W              | 34                                     |
| Indoor Fan Motor RLA             | 2.0                                    |
| Indoor Fan Motor W               | 250                                    |
| System Power Input @ Cooling (W) | 1,635 (400 ~ 1,900)                    |
| System Power Input @ Heating (W) | 1,675 (340 ~ 1,650)                    |
| MCA: Min. circuit amps (A)       | MOCP: Max. over current protection (A) |
| RLA: Rated load amps (A)         | W: Fan motor rated output (W)          |

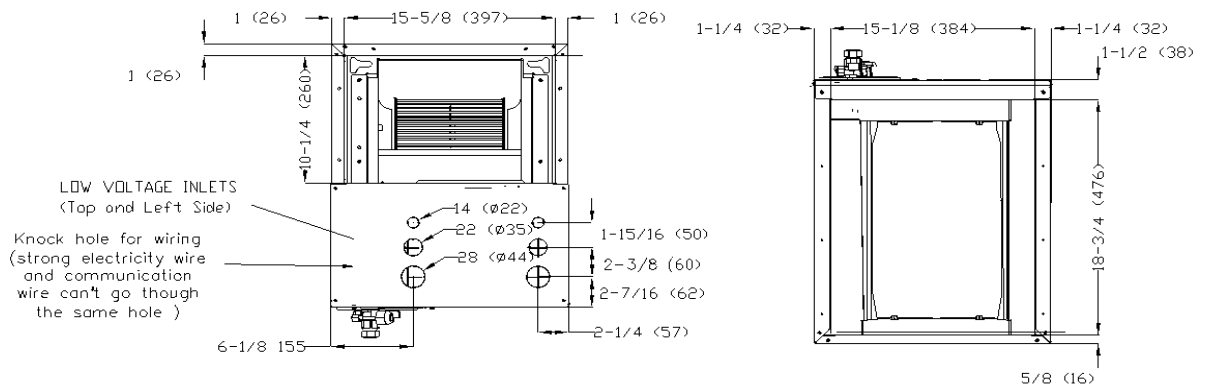
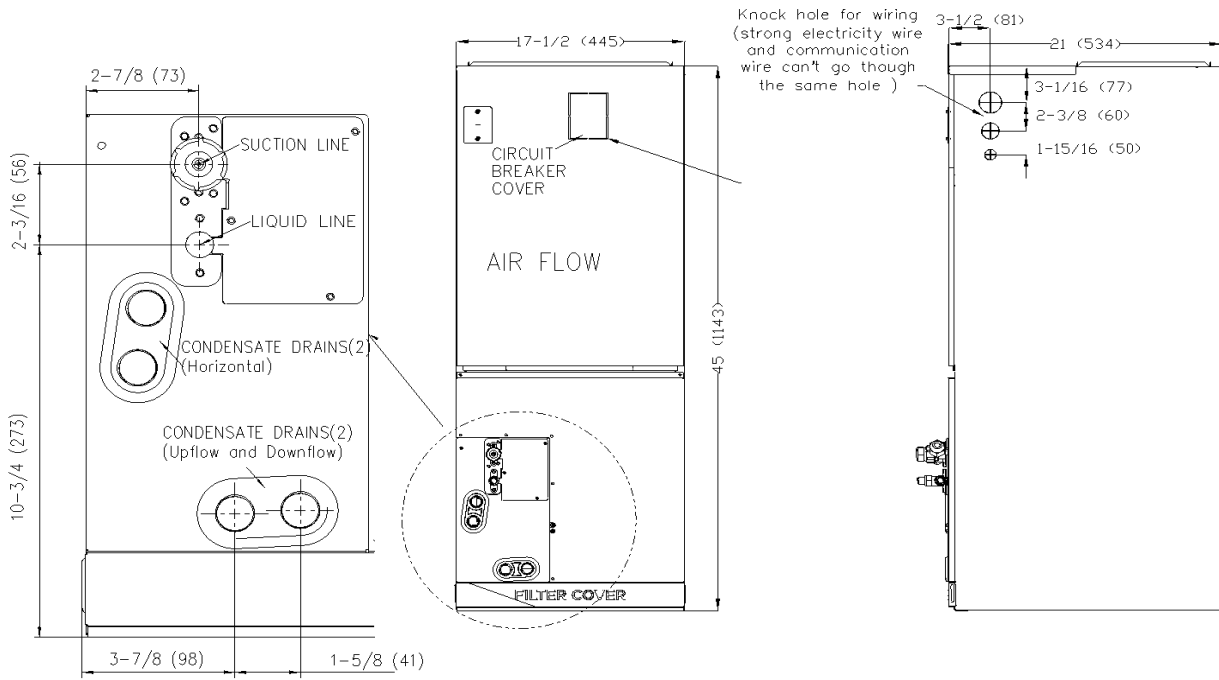
### PIPING

|   |               |
|---|---------------|
| Throttle type(Indoor)                         | EXV           |
| Throttle type(Outdoor)                        | EXV           |
| Liquid Size                                   | 3/8" (9.52mm) |
| Gas Size                                      | 3/4" (19mm)   |
| Max. Piping Length(ft/m)                      | 98 (30)       |
| Max. Height Difference(ft/m)                  | 66 (20)       |
| Max. Pre-charged Length(ft/m)                 | 25 (7.5)      |
| Refrigerant Pre-charged Amount(oz/kg)         | 51 (1.45)     |
| Additional Charge of Refrigerant(oz/ft)/(g/m) | 0.7 (65)      |
| Connection Method                             | Flared*       |

\*The gas valve of the outdoor unit is 5/8", 5/8" to 3/4" flare to flare connector is required for the installation.

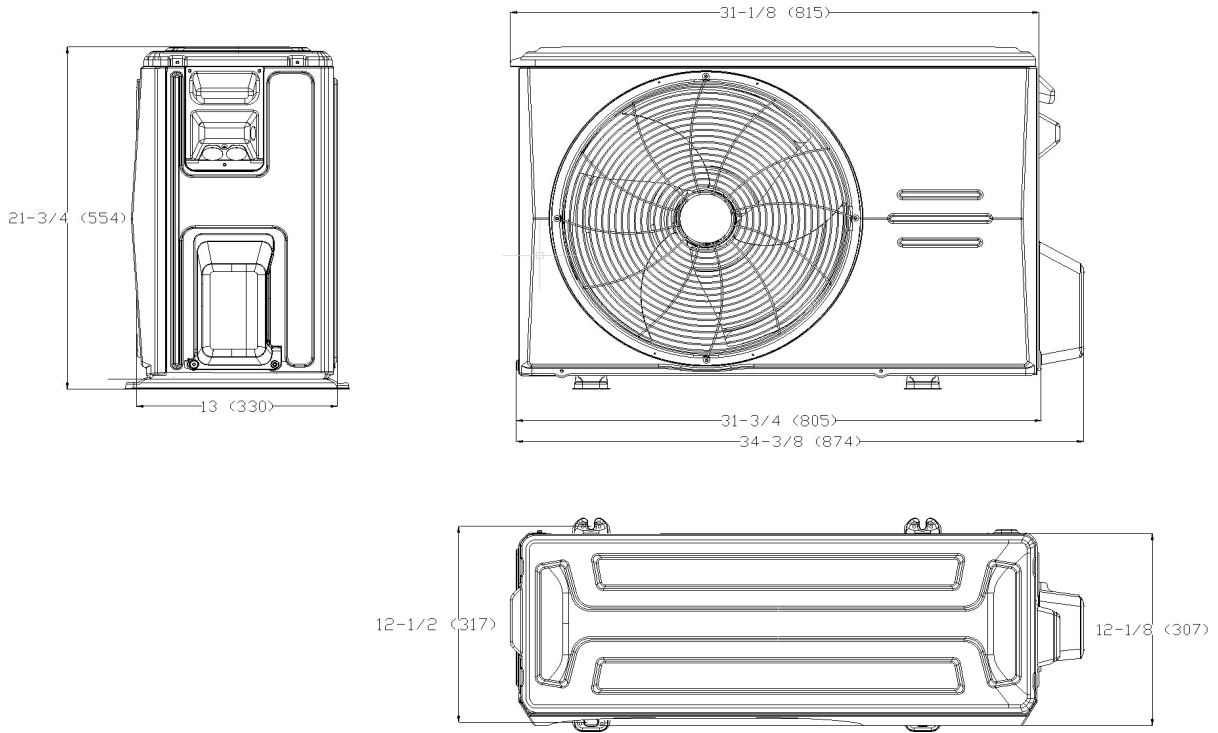
Indoor Unit Dimension

Unit:inch(mm)

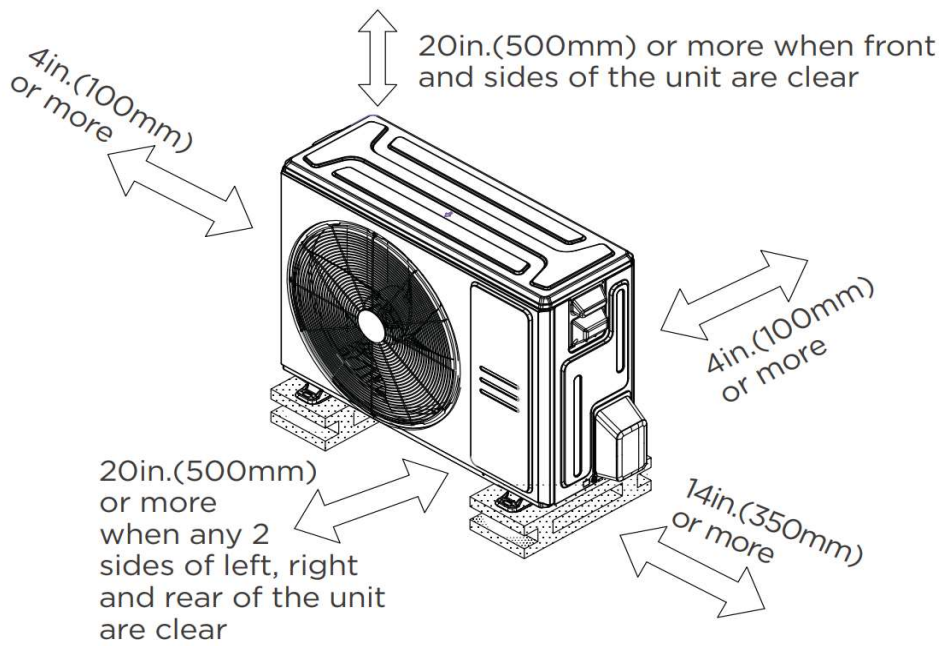


Outdoor Unit Dimension

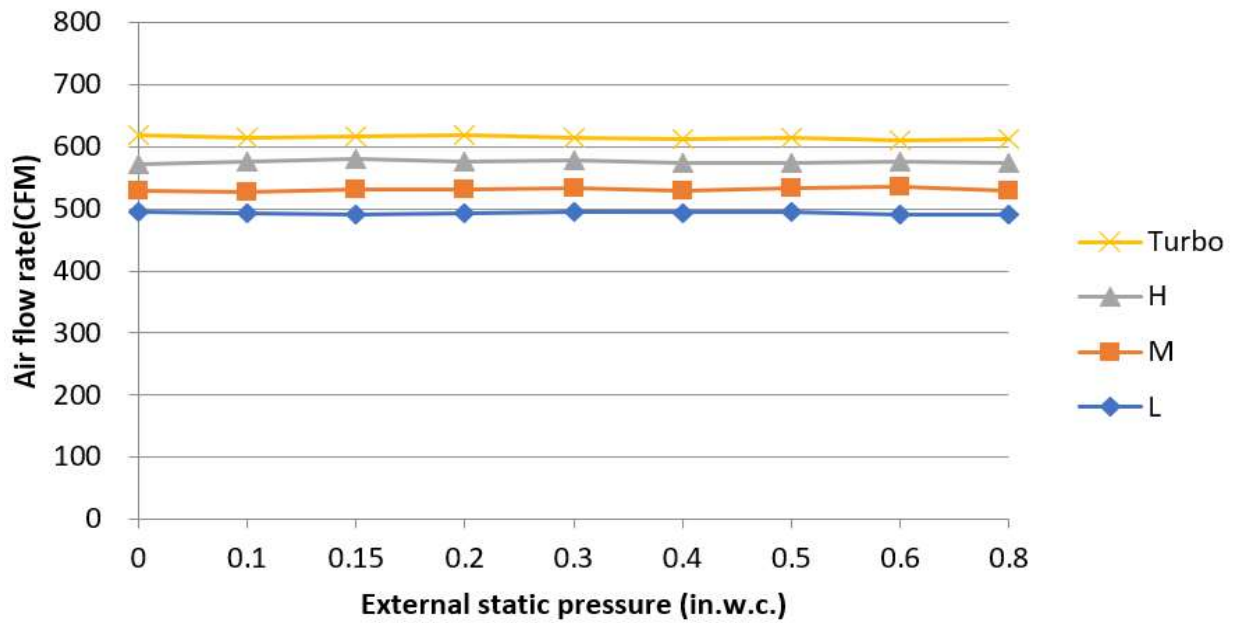
Unit:inch(mm)



Installation Instruction For Outdoor Unit



### Fan Performance For Indoor Unit



### Features

- Multi-position installation: horizontal(left or right), vertical( up or down)
- Aluminum Coil
- Constantly Air Flow system up to 0.80 In.W.C.
- 1 inch R4.2 fiberglass free insulation reduces condensation and boosts efficiency(optional)
- Optional Auxiliary heat kit up to 25kW
- Easy Maintenance
- Multiple control options available:
  - Two-way communication wired controller with built-in Wi-Fi:120N(X6W)
  - Wireless remote controller
  - Third-Party 24V Thermostat
- Adaptive Control System
- High efficiency up to 18.8 SEER2, 11 EER2, 9.7 HSPF2
- Chassis heater and crankcase heater equipped as standard