

R454b Refrigerant

SUBMITTAL DATA SHEET



Series Name: Regular Heat AHU Series
Model Number: MAUHE-H60B-2A/MO1BE-H60B-2A

Air Handler Heat Pump System

Location:	Approval:
Engineer:	Date:
Submitted to:	Construction:
Submitted by:	Unit #:
Reference:	Drawing #:



INDOOR SPECIFICATION

Indoor Air Flow (Turbo/H/M/L/Si) (CFM)	1807 / 1583 / 1360 / 1136 / 1136	
Indoor Noise Level (Turbo/H/M/L/Si) (dBA)	56 /52 /49 /34.5 / 34.5	
Dimension (W×D×H)	inch	24-1/2 x 21 x 53
	mm	622 × 534 × 1346
Package (W×D×H)	inch	27-15/16 x 26-3/4 x 56-1/2
	mm	710 × 680 × 1435
Net/Gross Weight	lbs	163 /191
	kg	73.9 / 86.6

OUTDOOR SPECIFICATION

Compressor Type	ROTARY	
Compressor Model	MTH550UKPC8FU	
Refrigerant	R454B	
Refrigerant Oil Charge(mL)	1,800	
Refrigerant Oil	HAF68D1C	
Outdoor Air Flow (Max) (CFM)	3,037	
Outdoor Noise Level (dBA)	65	
Dimension (W×D×H)	inch	38-9/16 x 16-3/8 x 38-3/8
	mm	980 × 415 × 975
Package (W×D×H)	inch	45-1/16 x 19-11/16 x 42-1/2
	mm	1145 × 500 × 1080
Net/Gross Weight	lbs	193 /224
	kg	87.5 / 101.7

EFFICIENCY

Cooling		Heating	
SEER2	15.2	HSPF2-4	8.4
EER2	8.6	COP	3.37

PERFORMANCE of Cooling

Cooling (Btu/hr)	
Rated Capacity	54,000
Min/Max Capacity	21,000 ~ 55,000
Moisture Removal(L/h)	5.82
Standard Operating Range(°F/°C)	-13~122 (-25 ~ 50)
Rated Cooling Conditions:	Indoor: 80°F DB/67°F WB Outdoor: 95°F DB/75°F WB

PERFORMANCE of Heating

Heating (Btu/hr)	
1. @ 47°F Rated	54,000
2. @ 47°F Min/Max Capacity	26,000 ~ 55,000
3. @ 17°F Rated	33,000
4. @ 5°F Rated: Capacity / COP	38,000/1.8
5. @ 5°F Max: Capacity	38,000
Standard Operating Range(°F/°C)	-13~75 (-25 ~ 24)
1. Rated Heating Conditions:	Indoor: 70°F DB/60°F WB Outdoor: 47°F DB/43°F WB
2. Rated Heating Conditions:	Indoor: 70°F DB/60°F WB Outdoor: 17°F DB/15°F WB
3. Heating Conditions, Compressor Operating at Max. Frequency	Indoor: 70°F DB/60°F WB Outdoor: 5°F DB/5°F WB

ELECTRICAL

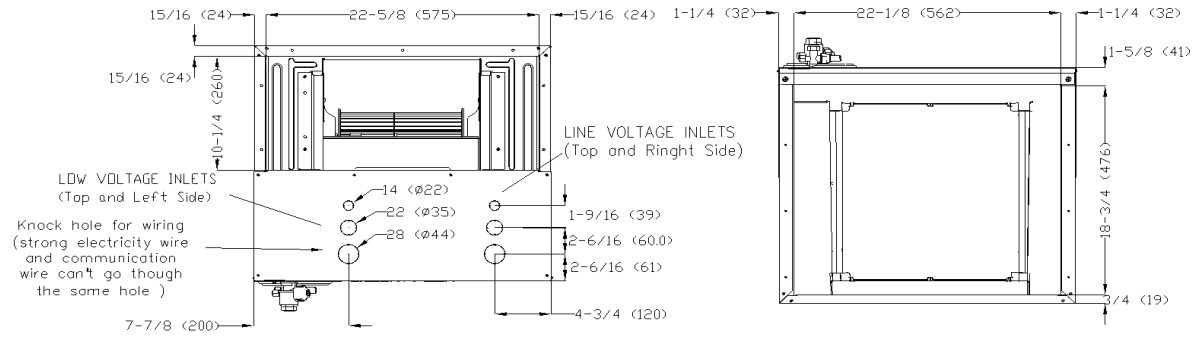
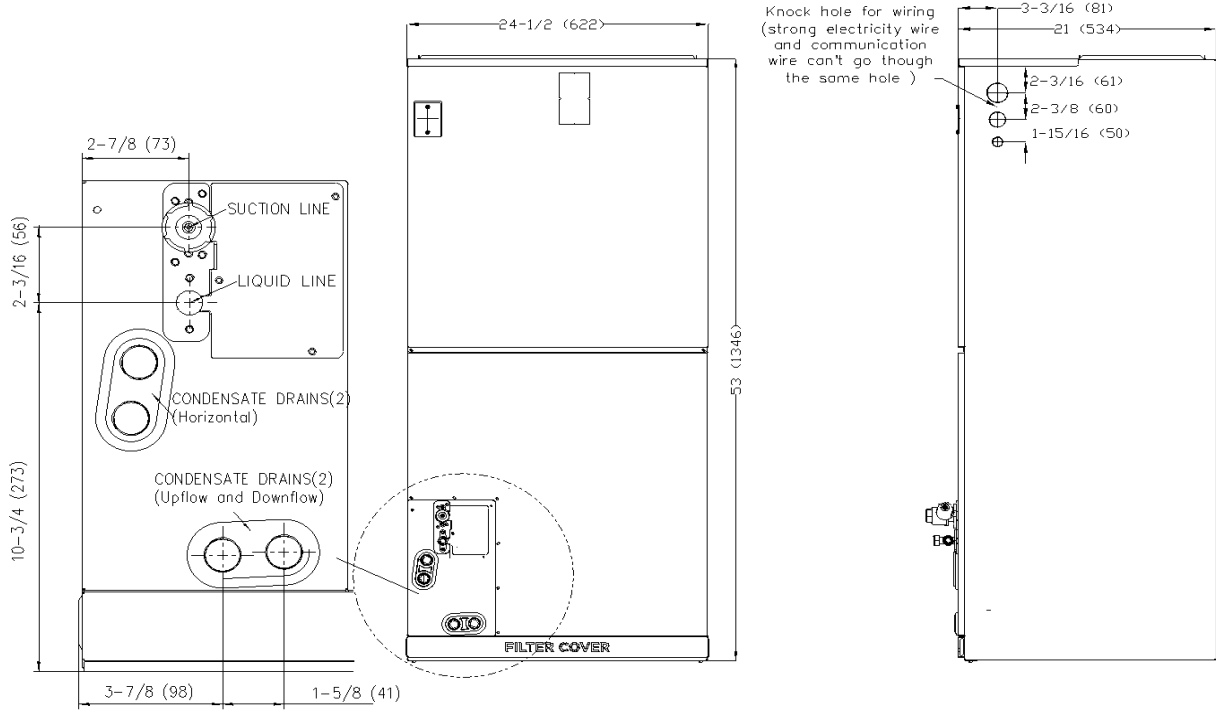
Indoor Power Supply	115/208/230V,60Hz,1Ph	
Indoor MCA 115V/(208/230V)	14.5/11.0	
Indoor MOP	15.0	
Outdoor Power Supply	208/230V,60Hz,1Ph	
Outdoor MCA	39.0	
Outdoor MOP	40.0	
Communication Wiring	AWG 20/2	
Compressor RLA	30.0	
Outdoor Fan Motor RLA	1.2	
Outdoor Fan Motor W	250	
Indoor Fan Motor RLA	8.3	
Indoor Fan Motor W	750	
System Power Input @ Cooling (W)	6,200 (1,800 ~ 6,410)	
System Power Input @ Heating (W)	4,650 (975 ~4,810)	
MCA: Min. circuit amps (A)	MOCP: Max. over current protection (A)	
RLA: Rated load amps (A)	W: Fan motor rated output (W)	

PIPING

Throttle type(Indoor)	EXV
Throttle type(Outdoor)	EXV
Liquid Size	3/8" (9.52mm)
Gas Size	3/4" (19mm)
Max. Piping Length(ft/m)	246 (75)
Max. Height Difference(ft/m)	98 (30)
Max. Pre-charged Length(ft/m)	25 (7.5)
Refrigerant Pre-charged Amount(oz/kg)	134 (3.8)
Additional Charge of Refrigerant(oz/ft)/(g/m)	0.7 (65)
Connection Method	Flared

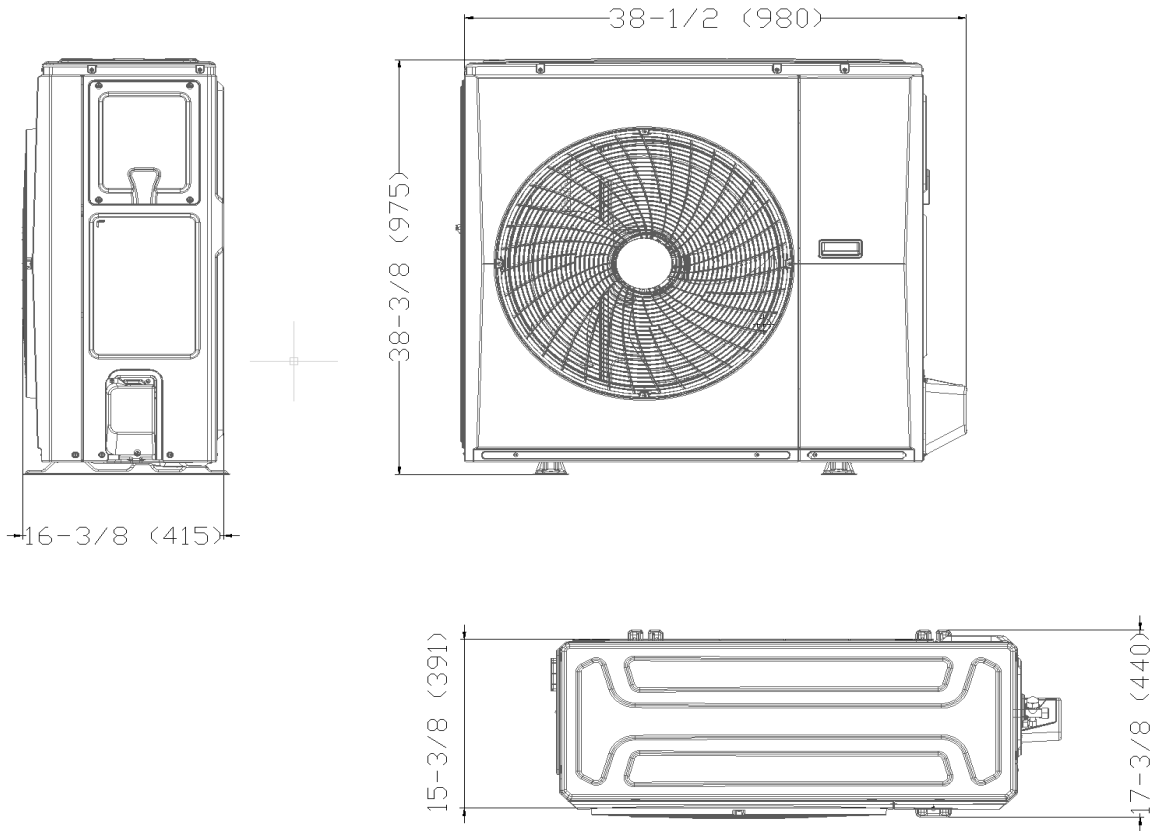
Indoor Unit Dimension

Unit:inch(mm)

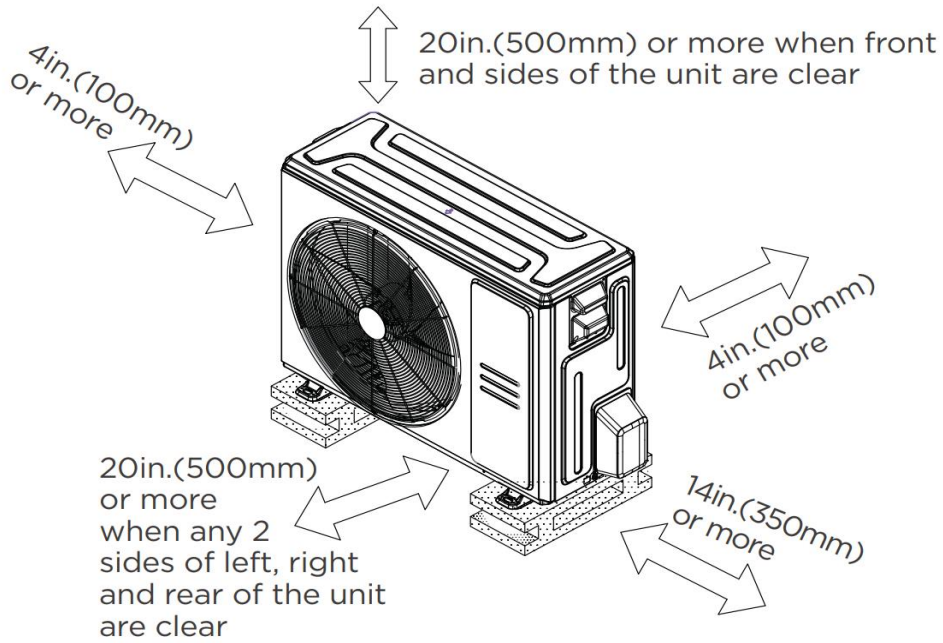


Outdoor Unit Dimension

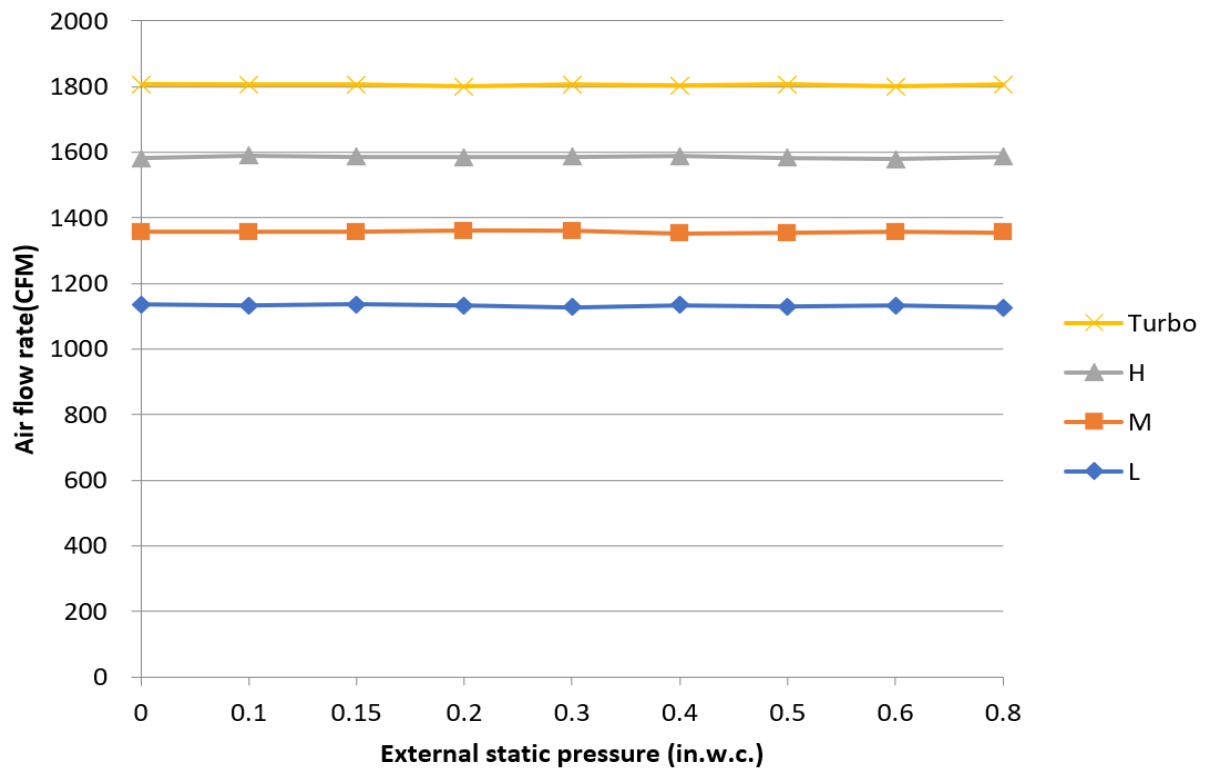
Unit:inch(mm)



Installation Instruction For Outdoor Unit



Fan Performance For Indoor Unit



Features

- Multi-position installation: horizontal(left or right), vertical(up or down)
- Aluminum Coil
- Constantly Air Flow system up to 0.80 In.W.G
- 1 inch R4.2 fiberglass free insulation reduces condensation and boosts efficiency(optional)
- Optional Auxiliary heat kit up to 25kW
- Easy Maintenance
- Multiple control options available:
 - Two way communication wired controller:120N(X6)
 - Two way communication wired controller with built-in WiFi:120N(X6W)
 - Wireless remote controller
 - Third-Party 24V Thermostat
- Adaptive Control System
- High efficiency up to 18.8 SEER2, 11 EER2, 9.7 HSPF2
- Chassis heater and crankcase heater equipped as standard

North American HVAC Products Ltd.

Add.: #100 5118 N Fraser Wy, Burnaby, BC V5J 0H1

Tel: 604-430-8496 info@nahvac.com www.nahvac.com

Midea reserves the right to change the specifications of the product, and to withdraw or replace products without prior notification or public announcement.
Midea is constantly developing and improving its products.