

R454b Refrigerant

SUBMITTAL DATA SHEET



Series Name: EVOX G³ Modular Air Handler Extreme Heat Series
Model Number: MAUSE-H24B-2A/MO1HE-H24B-2A

Air Handler Heat Pump System

Location:	Approval:
Engineer:	Date:
Submitted to:	Construction:
Submitted by:	Unit #:
Reference:	Drawing #:



INDOOR SPECIFICATION

ESP (in.W.C.)	0~1.0	
Indoor Air Flow (Turbo/H/M/L/Si) (CFM)	824 / 759 / 694 / 630 / 630	
Indoor Noise Level (Turbo/H/M/L/Si) (dBA)	47.5 / 47.5 / 44 / 33 / 33	
Dimension (WxDxH)	inch	14-1/2 x 21-1/2 x 53-7/8
	mm	368 x 546 x 1368
Package (WxDxH)	inch	17-1/2 x 31-1/8 x 58-1/4
	mm	445 x 790 x 1480
Net/Gross Weight	lbs	123 / 155
	kg	55.8 / 70.2

OUTDOOR SPECIFICATION

Compressor Type	TWIN-ROTARY	
Compressor Model	KTM240D46UKT2	
Refrigerant	R454B	
Refrigerant Oil Charge(mL)	620	
Refrigerant Oil	VG74	
Outdoor Air Flow (Max) (CFM)	1,766	
Dimension (WxDxH)	inch	35 x 13-1/2 x 26-1/2
	mm	890 x 342 x 673
Package (WxDxH)	inch	39-1/8 x 15-5/8 x 29-1/8
	mm	995 x 398 x 740
Net/Gross Weight	lbs	102 / 109
	kg	46.4 / 49.5

EFFICIENCY

Cooling		Heating	
SEER2	18.6	HSPF2-4	10.0
EER2	12.0	COP	3.49

PERFORMANCE of Cooling

Cooling (Btu/hr)	
Rated Capacity	24,000
Min/Max Capacity	6,400 ~ 28,800
Moisture Removal(L/h)	2.23
Standard Operating Range(*F/*C)	-22~122 (-30 ~ 50)
Rated Cooling Conditions:	Indoor: 80°F DB/67°F WB Outdoor: 95°F DB/75°F WB

PERFORMANCE of Heating

Heating (Btu/hr)	
1. @ 47°F Rated	24,000
2. @ 47°F Min/Max Capacity	6,600 ~ 29,200
3. @ 17°F Rated	19,000
4. @ 5°F Rated: Capacity / COP	20,600 / 2.14
5. @ 5°F Max: Capacity	20,600
Standard Operating Range(*F/*C)	-22~75 (-30 ~ 24)
1. Rated Heating Conditions:	Indoor: 70°F DB/60°F WB Outdoor: 47°F DB/43°F WB
2. Rated Heating Conditions:	Indoor: 70°F DB/60°F WB Outdoor: 17°F DB/15°F WB
3. Heating Conditions, Compressor Operating at Max. Frequency	Indoor: 70°F DB/60°F WB Outdoor: 5°F DB/5°F WB

ELECTRICAL

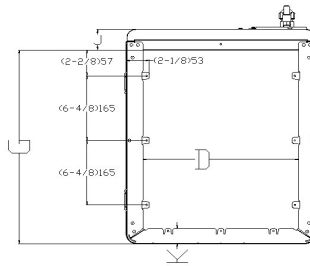
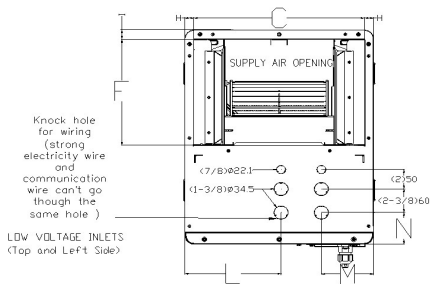
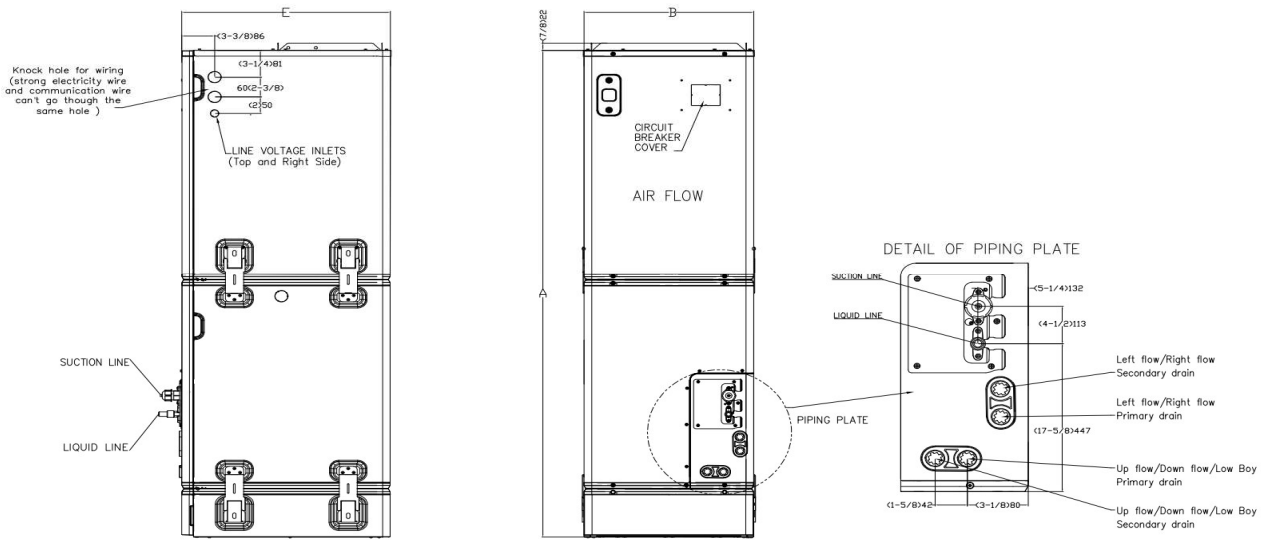
Indoor Power Supply	115/208/230V,60Hz,1Ph
Indoor MCA 115V/(208/230V)	5.5/3.5
Indoor MOP	15.0
Outdoor Power Supply	208/230V,60Hz,1Ph
Outdoor MCA	19.0
Outdoor MOP	20.0
Communication Wiring	AWG 20/2
Compressor RLA	14.0
Outdoor Fan Motor RLA	1.0
Outdoor Fan Motor W	80
Indoor Fan Motor RLA	2.5
Indoor Fan Motor W	600
System Power Input @ Cooling (W)	2,000 (830 ~ 2,850)
System Power Input @ Heating (W)	2,010 (400 ~ 2,450)
MCA: Min. circuit amps (A)	MOCP: Max. over current protection (A)
RLA: Rated load amps (A)	W: Fan motor rated output (W)

PIPING

Throttle type(Indoor)	EXV
Throttle type(Outdoor)	EXV
Liquid Size	3/8" (9.52mm)
Gas Size	3/4" (19mm)
Max. Piping Length(ft/m)	164 (50)
Max. Height Difference(ft/m)	82 (25)
Max. Pre-charged Length(ft/m)	25 (7.5)
Refrigerant Pre-charged Amount(oz/kg)	74 (2.1)
Additional Charge of Refrigerant(oz/ft)/(g/m)	0.7 (65)
Connection Method	Flared

Indoor Unit Dimension

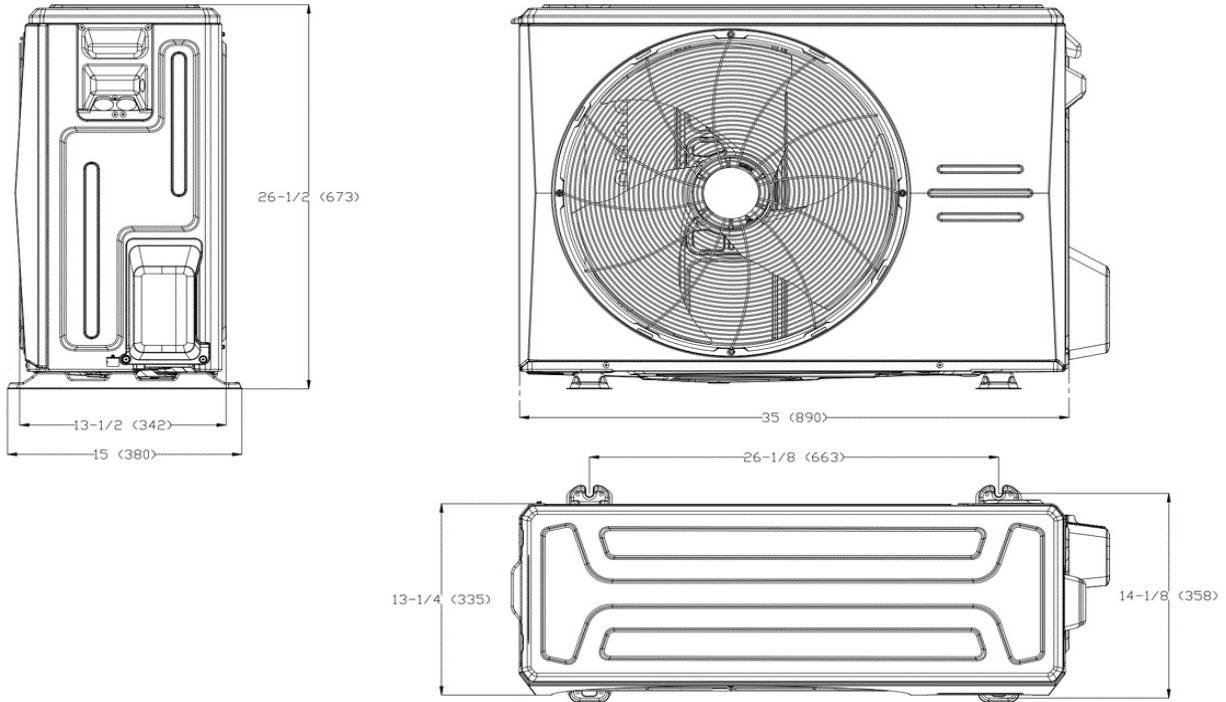
Unit: inch, mm



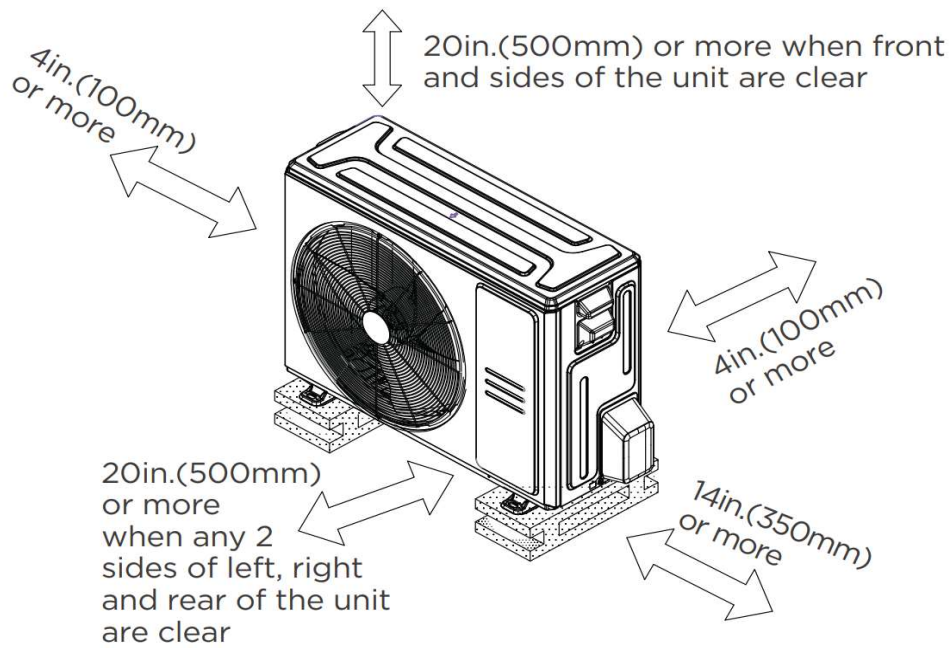
Dimensions		Model(Btu/h)	18K/24K		30K/36K		48K/54K	
			inch	mm	inch	mm	inch	mm
A	Model Height		53-7/8	1368	58-1/8	1476	60-1/8	1526
B	Model Width		14-4/8	368	17-4/8	445	21-4/8	546
C	Supply Air Opening Width		12-7/8	328	16	405	19-7/8	506
D	Return Air Opening Width		11-1/8	282	14-4/8	368	18-4/8	470
E	Model Depth		21-1/2	546	21-1/2	546	21-1/2	546
F	Supply Air Opening Depth		10-5/8	271	10-5/8	271	10-5/8	271
G	Return Air Opening Depth		19	484	19	484	19	484
H	Supply Air Opening Clearance		7/8	22	7/8	22	7/8	22
I	Supply Air Opening Clearance		1	24	1	24	1	24
J	Return Air Opening Front Clearance		2-4/8	62	2-4/8	62	2-4/8	62
K	Return Air Opening Back Clearance		1-4/8	37	1-4/8	37	1-4/8	37
L	Top cover knock hole		/	/	9	229	10-7/8	275
M	Top cover knock hole		4-1/2	113	4-7/8	124	5-1/8	131
N	Top cover knock hole		2	51	2	51	1-5/8	41

Outdoor Unit Dimension

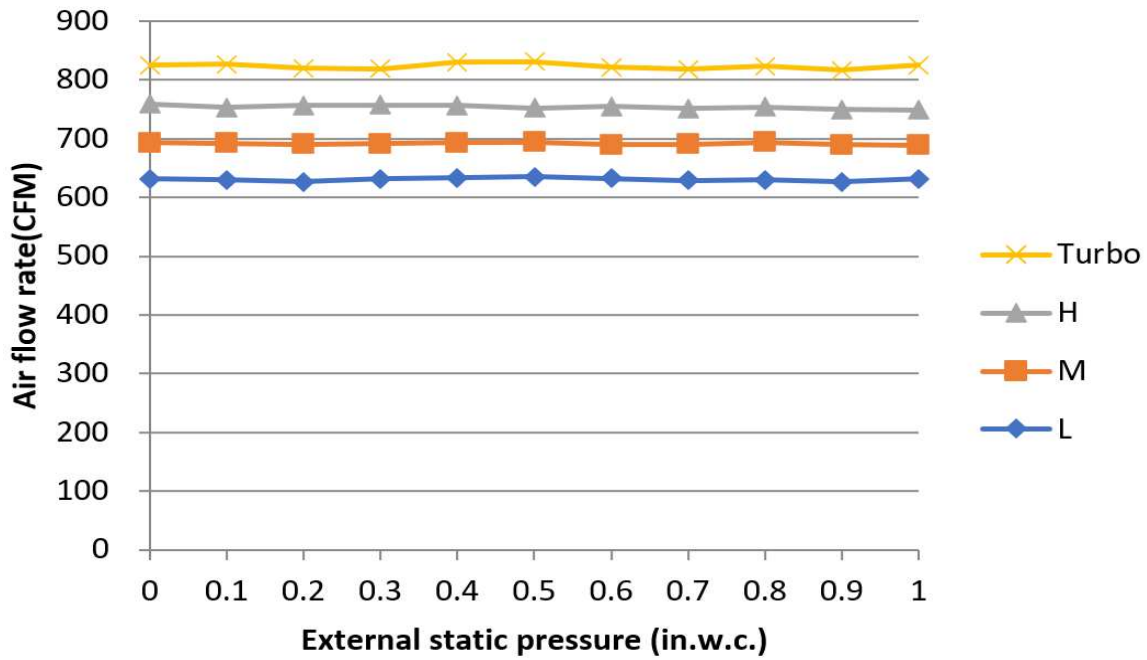
Unit: inch (mm)



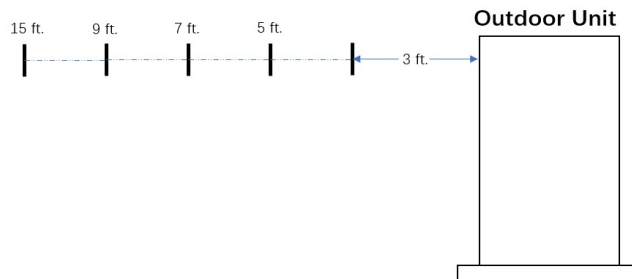
Installation Instruction For Outdoor Unit



Fan Performance For Indoor Unit



Outdoor Unit Sound Pressure Data



Model	Maximum Sound Pressure (dBA)				
	3'	5'	7'	9'	15'
MO1HE-H18B-2A	54.7	52.8	51.5	50.6	48.7
MO1HE-H24B-2A	55.9	54.0	52.7	51.8	49.9
MO1HE-H30B-2A	59.9	58.0	56.7	55.8	53.9
MO1HE-H36B-2A	60.2	58.3	57.0	56.1	54.2
MO1SE-H36B-2A	59.3	57.5	56.3	55.4	53.5
MO1HE-H48B-2A	60.9	59.0	57.7	56.8	54.9
MO1HE-H60B-2A	62.1	60.2	58.9	58.0	56.1

Features

- Multi-position installation: horizontal(left or right), vertical(up or down)
- The IDU supports 115/230V voltage compatibility
- Aluminum Coil
- Constant Air Flow system: Up to 1.0 In.W.C.
- Optional Auxiliary heat kit up to 25kW
- Easy Maintenance
- Multiple control options available:
 - Wireless remote controller RG10 (Built-In)
 - Two-way communication programmable wired controller with built-in Wi-Fi:120N(X6W)
 - Midea Smart Thermostat
 - Third-Party 24V Thermostat
- Adaptive Control System
- 100% heating output down to -13°F*
- Standard graphene fins, a standard feature of the outdoor unit, deliver superior corrosion resistance
- The outdoor unit comes standard with chassis and crankshaft electric heating
- Built-in Refrigerant Detection Sensor

* When MAUSE-H36B-2A is paired with MO1SE-H36B-2A, its rated heating capacity at -13°F is 100%