

R454b Refrigerant

SUBMITTAL DATA SHEET



Series Name: EVOX G³ Modular Air Handler Extreme Heat Series
 Model Number: MAUSE-H60B-2A/MO1HE-H60B-2A

Air Handler Heat Pump System

| | |
|---------------|---------------|
| Location: | Approval: |
| Engineer: | Date: |
| Submitted to: | Construction: |
| Submitted by: | Unit #: |
| Reference: | Drawing #: |



INDOOR SPECIFICATION

| | | |
|---|---------------------------------------|--------------------------|
| ESP (in.W.C.) | 0~0.8 | |
| Indoor Air Flow (Turbo/H/M/L/Si) (CFM) | 1,801 / 1,648 / 1,501 / 1,236 / 1,236 | |
| Indoor Noise Level (Turbo/H/M/L/Si) (dBA) | 60 / 57 / 54.5 / 37 / 37 | |
| Dimension (WxDxH) | inch | 21-1/2 x 21-1/2 x 60-1/8 |
| | mm | 546 x 546 x 1526 |
| Package (WxDxH) | inch | 31-1/8 x 25 x 70-3/4 |
| | mm | 790 x 635 x 1800 |
| Net/Gross Weight | lbs | 188 / 238 |
| | kg | 85.3 / 108.1 |

OUTDOOR SPECIFICATION

| | | |
|------------------------------|----------------|--------------------------|
| Compressor Type | TWIN-ROTARY | |
| Compressor Model | ETPQ480D66UMU1 | |
| Refrigerant | R454B | |
| Refrigerant Oil Charge(mL) | 1,300 | |
| Refrigerant Oil | VG75 | |
| Outdoor Air Flow (Max) (CFM) | 2,649 | |
| Dimension (WxDxH) | inch | 37-1/2 x 16-3/8 x 52-1/2 |
| | mm | 952 x 416 x 1,333 |
| Package (WxDxH) | inch | 43-1/8 x 19-1/2 x 58-1/4 |
| | mm | 1,095 x 495 x 1,480 |
| Net/Gross Weight | lbs | 243 / 275 |
| | kg | 110.2 / 124.8 |

EFFICIENCY

| Cooling | | Heating | |
|---------|------|---------|------|
| SEER2 | 17.5 | HSPF2.4 | 9.5 |
| EER2 | 12.0 | COP | 3.36 |

PERFORMANCE of Cooling

| Cooling (Btu/hr) | |
|---------------------------------|---|
| Rated Capacity | 54,000 |
| Min/Max Capacity | 11,400 ~ 60,000 |
| Moisture Removal(L/h) | 6.02 |
| Standard Operating Range(*F/*C) | -22~122(-30 ~ 50) |
| Rated Cooling Conditions: | Indoor: 80°F DB/67°F WB Outdoor: 95°F DB/75°F WB |

PERFORMANCE of Heating

| Heating (Btu/hr) | |
|---|---|
| 1. @ 47°F Rated | 55,000 |
| 2. @ 47°F Min/Max Capacity | 8,600 ~ 60,000 |
| 3. @ 17°F Rated | 35,000 |
| 4. @ 5°F Rated: Capacity / COP | 54,000 / 1.9 |
| 5. @ 5°F Max: Capacity | 54,000 |
| Standard Operating Range(*F/*C) | -22~75 (-30 ~ 24) |
| 1. Rated Heating Conditions: | Indoor: 70°F DB/60°F WB Outdoor: 47°F DB/43°F WB |
| 2. Rated Heating Conditions: | Indoor: 70°F DB/60°F WB Outdoor: 17°F DB/15°F WB |
| 3. Heating Conditions, Compressor Operating at Max. Frequency | Indoor: 70°F DB/60°F WB Outdoor: 5°F DB/5°F WB |

ELECTRICAL

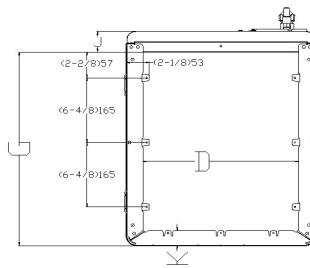
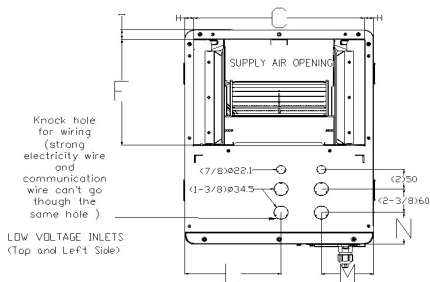
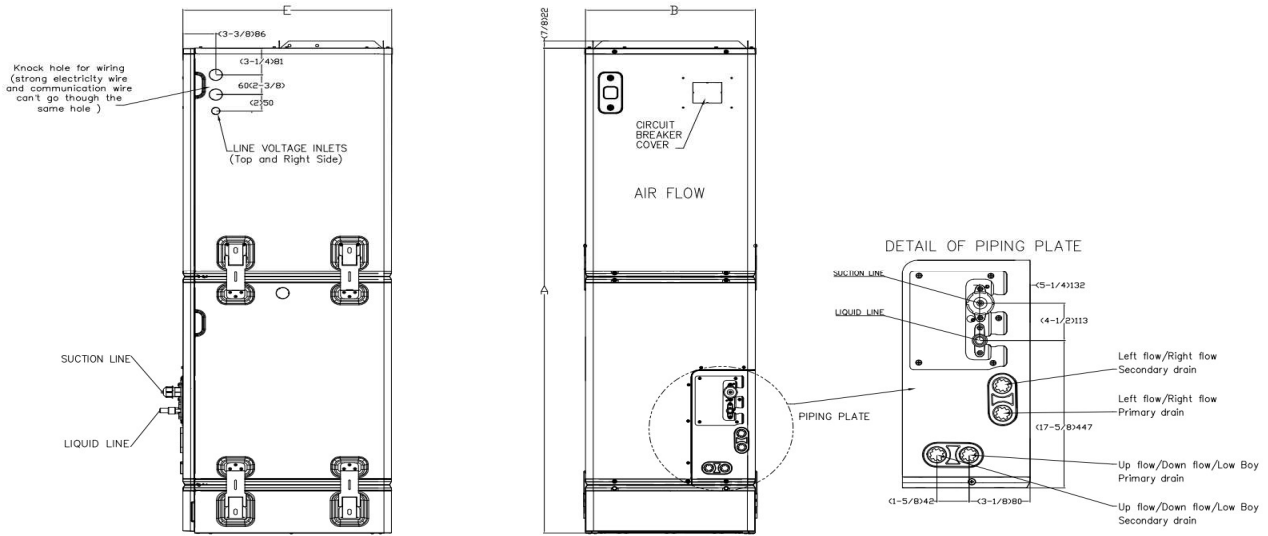
| | | |
|----------------------------------|--|--|
| Indoor Power Supply | 115/208/230V,60Hz,1Ph | |
| Indoor MCA 115V/(208/230V) | 14.5/10 | |
| Indoor MOP | 15.0 | |
| Outdoor Power Supply | 208/230V,60Hz,1Ph | |
| Outdoor MCA | 40.0 | |
| Outdoor MOP | 40.0 | |
| Communication Wiring | AWG 20/2 | |
| Compressor RLA | 31.0 | |
| Outdoor Fan Motor RLA | 1.2 | |
| Outdoor Fan Motor W | 170 | |
| Indoor Fan Motor RLA | 8.0 | |
| Indoor Fan Motor W | 1000 | |
| System Power Input @ Cooling (W) | 4,500 (1,530 ~ 6,720) | |
| System Power Input @ Heating (W) | 4,800 (780 ~ 5,690) | |
| MCA: Min. circuit amps (A) | MOCP: Max. over current protection (A) | |
| RLA: Rated load amps (A) | W: Fan motor rated output (W) | |

PIPING

| | |
|---|---------------|
| Throttle type(Indoor) | EXV |
| Throttle type(Outdoor) | EXV |
| Liquid Size | 3/8" (9.52mm) |
| Gas Size | 3/4" (19mm) |
| Max. Piping Length(ft/m) | 246 (75) |
| Max. Height Difference(ft/m) | 98 (30) |
| Max. Pre-charged Length(ft/m) | 25 (7.5) |
| Refrigerant Pre-charged Amount(oz/kg) | 183 (5.2) |
| Additional Charge of Refrigerant(oz/ft)/(g/m) | 0.7 (65) |
| Connection Method | Flared |

Indoor Unit Dimension

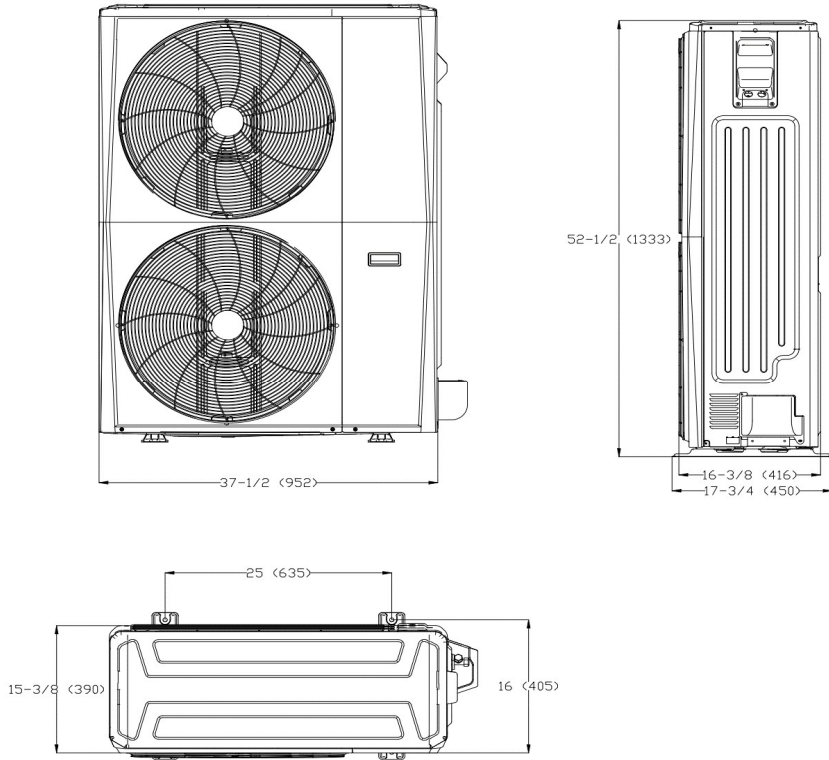
Unit: inch, mm



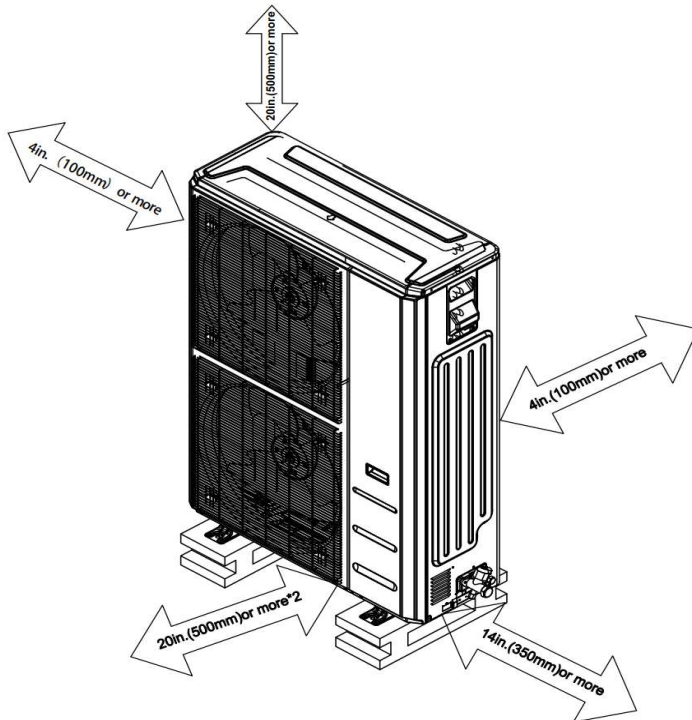
| Dimensions | Model(Btu/h) | 18K/24K | | 30K/36K | | 48K/54K | |
|------------|------------------------------------|---------|------|---------|------|---------|------|
| | | inch | mm | inch | mm | inch | mm |
| A | Model Height | 53-7/8 | 1368 | 58-1/8 | 1476 | 60-1/8 | 1526 |
| B | Model Width | 14-4/8 | 368 | 17-4/8 | 445 | 21-4/8 | 546 |
| C | Supply Air Opening Width | 12-7/8 | 328 | 16 | 405 | 19-7/8 | 506 |
| D | Return Air Opening Width | 11-1/8 | 282 | 14-4/8 | 368 | 18-4/8 | 470 |
| E | Model Depth | 21-1/2 | 546 | 21-1/2 | 546 | 21-1/2 | 546 |
| F | Supply Air Opening Depth | 10-5/8 | 271 | 10-5/8 | 271 | 10-5/8 | 271 |
| G | Return Air Opening Depth | 19 | 484 | 19 | 484 | 19 | 484 |
| H | Supply Air Opening Clearance | 7/8 | 22 | 7/8 | 22 | 7/8 | 22 |
| I | Supply Air Opening Clearance | 1 | 24 | 1 | 24 | 1 | 24 |
| J | Return Air Opening Front Clearance | 2-4/8 | 62 | 2-4/8 | 62 | 2-4/8 | 62 |
| K | Return Air Opening Back Clearance | 1-4/8 | 37 | 1-4/8 | 37 | 1-4/8 | 37 |
| L | Top cover knock hole | / | / | 9 | 229 | 10-7/8 | 275 |
| M | Top cover knock hole | 4-1/2 | 113 | 4-7/8 | 124 | 5-1/8 | 131 |
| N | Top cover knock hole | 2 | 51 | 2 | 51 | 1-5/8 | 41 |

Outdoor Unit Dimension

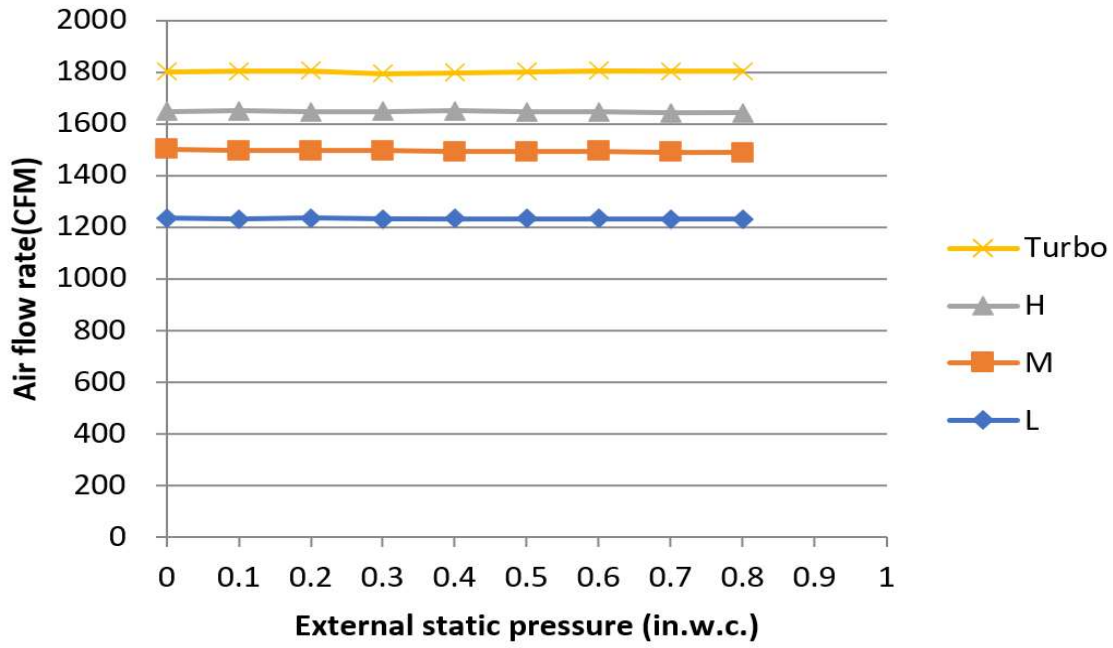
Unit: inch (mm)



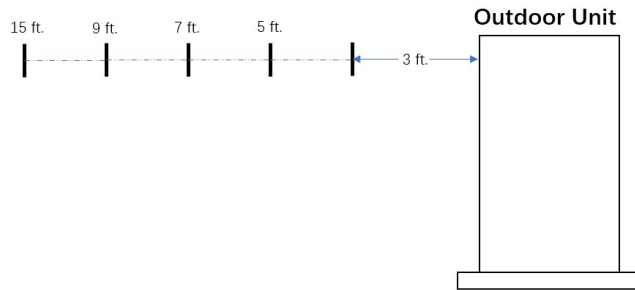
Installation Instruction For Outdoor Unit



Fan Performance For Indoor Unit



Outdoor Unit Sound Pressure Data



| Model | Maximum Sound Pressure (dBA) | | | | |
|---------------|------------------------------|------|------|------|------|
| | 3' | 5' | 7' | 9' | 15' |
| MO1HE-H18B-2A | 54.7 | 52.8 | 51.5 | 50.6 | 48.7 |
| MO1HE-H24B-2A | 55.9 | 54.0 | 52.7 | 51.8 | 49.9 |
| MO1HE-H30B-2A | 59.9 | 58.0 | 56.7 | 55.8 | 53.9 |
| MO1HE-H36B-2A | 60.2 | 58.3 | 57.0 | 56.1 | 54.2 |
| MO1SE-H36B-2A | 59.3 | 57.5 | 56.3 | 55.4 | 53.5 |
| MO1HE-H48B-2A | 60.9 | 59.0 | 57.7 | 56.8 | 54.9 |
| MO1HE-H60B-2A | 62.1 | 60.2 | 58.9 | 58.0 | 56.1 |

Features

- Multi-position installation: horizontal(left or right), vertical(up or down)
- The IDU supports 115/230V voltage compatibility
- Aluminum Coil
- Constant Air Flow system: Up to 1.0 In.W.C.
- Optional Auxiliary heat kit up to 25kW
- Easy Maintenance
- Multiple control options available:
 - Wireless remote controller RG10 (Built-In)
 - Two-way communication programmable wired controller with built-in Wi-Fi:120N(X6W)
 - Midea Smart Thermostat
 - Third-Party 24V Thermostat
- Adaptive Control System
- 100% heating output down to -13°F*
- Standard graphene fins, a standard feature of the outdoor unit, deliver superior corrosion resistance
- The outdoor unit comes standard with chassis and crankshaft electric heating
- Built-in Refrigerant Detection Sensor

* When MAUSE-H36B-2A is paired with MO1SE-H36B-2A, its rated heating capacity at -13°F is 100%