

# R454b Refrigerant

# SUBMITTAL DATA SHEET



Series Name: 4-Way Cassette Regular Series  
Model Number: MCDHS-H48B-2A/MO1BU-H48B-2A

### 4-Way Cassette Regular System

Location:	Approval:
Engineer:	Date:
Submitted to:	Construction:
Submitted by:	Unit #:
Reference:	Drawing #:



### INDOOR SPEINDOOR SPECIFICATIONCIFICATION

Indoor Air Flow (Turbo/H/M/L/Si) (CFM)	1236 / 1124 / 1018 / 801 / 689	
Indoor Noise Level (Turbo/H/M/L/Si) (dBA)	56 / 53 / 50 / 43 / 39	
Dimension (WxDxH)	inch	32-5/8 x 32-5/8 x 11-1/4
	mm	830 x 830 x 287
Package (WxDxH)	inch	35-7/8 x 35-7/8 x 13
	mm	910 x 910 x 330
Net/Gross Weight	lbs	65 / 76
	kg	29.3 / 34.5

### OUTDOOR SPECIFICATION

Compressor Type	ROTARY	
Compressor Model	KTQ420D1UMU	
Refrigerant	R454B	
Refrigerant Oil Charge(mL)	1,400	
Refrigerant Oil	VG74	
Outdoor Air Flow (Max) (CFM)	4,238	
Outdoor Noise Level (dBA)	62.5	
Dimension (WxDxH)	inch	37-1/2 x 16-3/8 x 52-1/2
	mm	952 x 415 x 1333
Package (WxDxH)	inch	43-1/8 x 19-1/2 x 57-1/2
	mm	1095 x 495 x 1460
Net/Gross Weight	lbs	209 / 240
	kg	94.7/108.8

### EFFICIENCY

Cooling		Heating	
SEER2	19	HSPF2-4	9.9
EER2	9.5	COP	2.96

### PERFORMANCE of Cooling

Cooling (Btu/hr)	
Rated Capacity	48,000
Min/Max Capacity	10,600-50,400
Moisture Removal(L/h)	6.27
Standard Operating Range(*F/*C)	-13~122 (-25 ~ 50)
Conditions:	Indoor: 80°F DB/67°F WB Outdoor: 95°F DB/75°F WB

### PERFORMANCE of Heating

Heating (Btu/hr)	
1. @ 47°F Rated	50,000
1. @ 47°F Min/Max Capacity	19,900-61,700
2. @ 17°F Rated	36,600
3. @ 5°F Rated: Capacity / COP	40,500/2.11
3. @ 5°F Max: Capacity	40,500
Standard Operating Range(*F/*C)	-13~75 (-25 ~ 24)
1. Conditions:	Indoor: 70°F DB/60°F WB Outdoor: 47°F DB/43°F WB
2. Conditions:	Indoor: 70°F DB/60°F WB Outdoor: 17°F DB/15°F WB
3. Conditions:	Indoor: 70°F DB/60°F WB Outdoor: 5°F DB/5°F WB

### ELECTRICAL

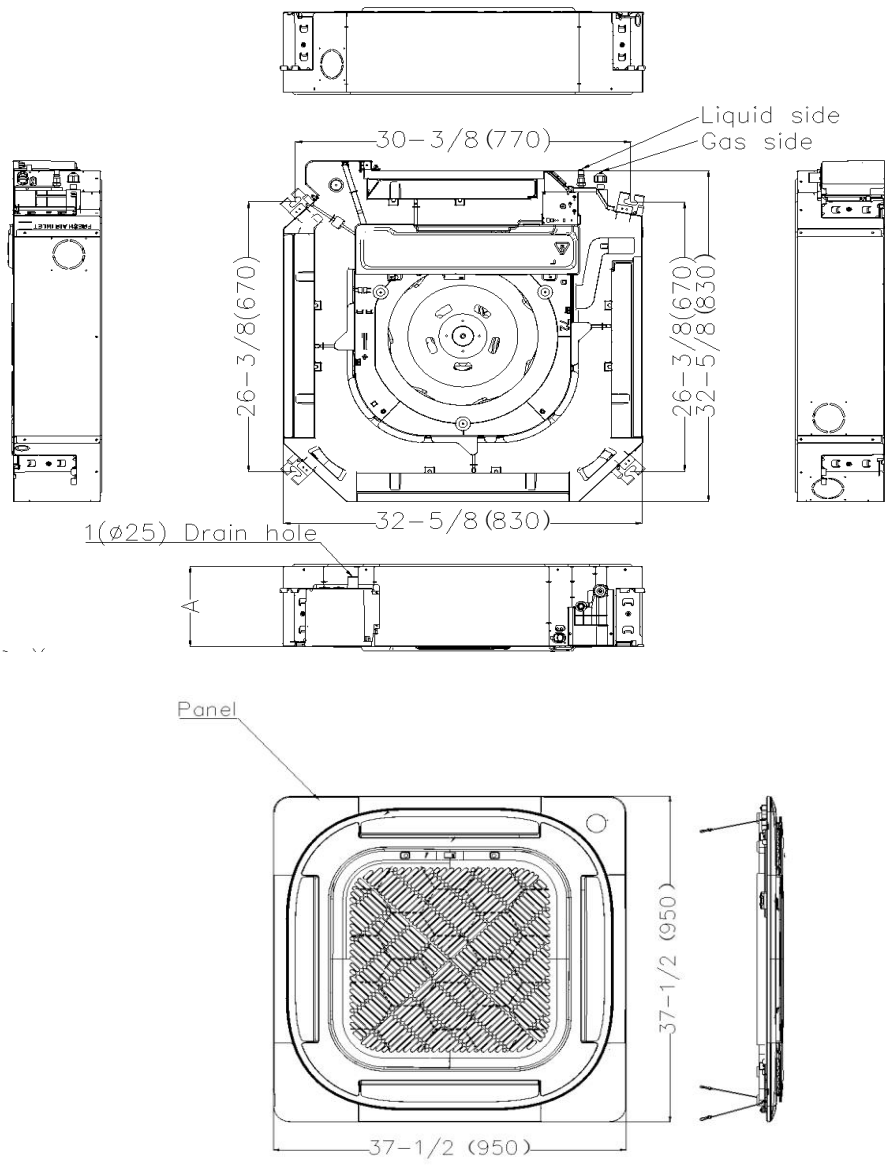
Power Supply	208/230V,60Hz,1Ph	
System MCA	39.0	
Connection Wiring	AWG 14/3	
System MOCP	40.0	
Compressor RLA	24	
Outdoor Fan Motor RLA	1.2	
Outdoor Fan Motor W	85	
Indoor Fan Motor RLA	1.0	
Indoor Fan Motor W	125	
System Power Input @ Cooling (W)	5,053 (800 ~ 5,320)	
System Power Input @ Heating (W)	4,950 (1140 ~5,940)	
MCA: Min. circuit amps (A)	MOCP: Max. over current protection (A)	
RLA: Rated load amps (A)	W: Fan motor rated output (W)	

### PIPING

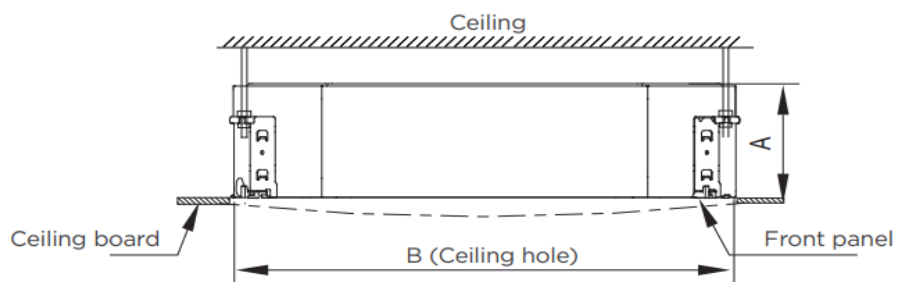
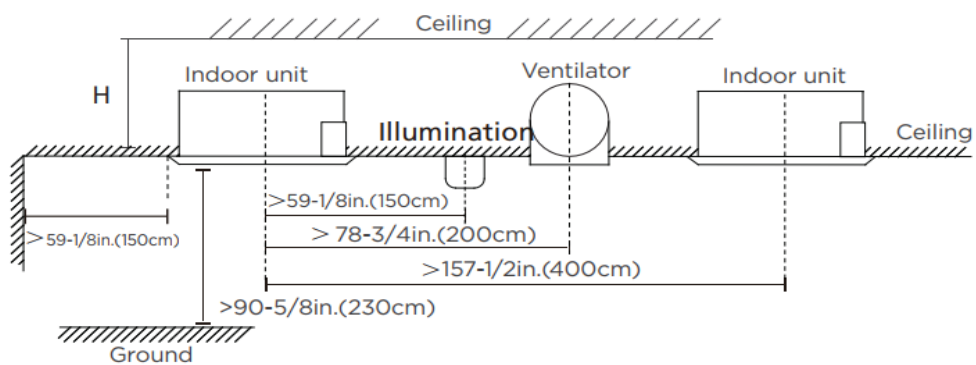
Throttle type(Indoor)	N/A
Throttle type(Outdoor)	EXV+Throttle valve
Liquid Size	3/8" (9.52mm)
Gas Size	3/4" (19mm)
Max. Piping Length(ft/m)	246 (75)
Max. Height Difference(ft/m)	98 (30)
Max. Pre-charged Length(ft/m)	25 (7.5)
Refrigerant Pre-charged Amount(oz/kg)	127 (3.6)
Additional Charge of Refrigerant((oz/ft)/(g/m)	0.32 (30)
Connection Method	Flared

Indoor Unit Dimension

Unit: inch (mm)



### Installation Instruction

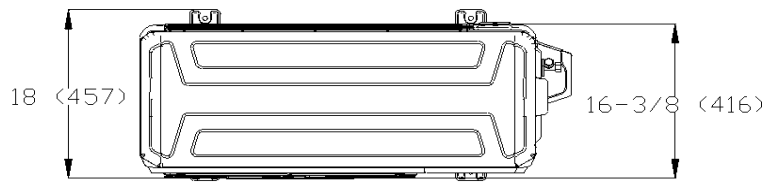
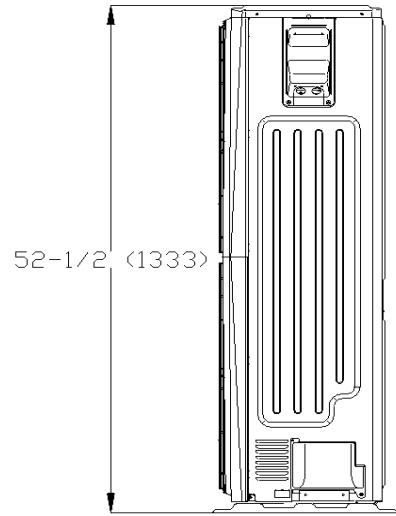
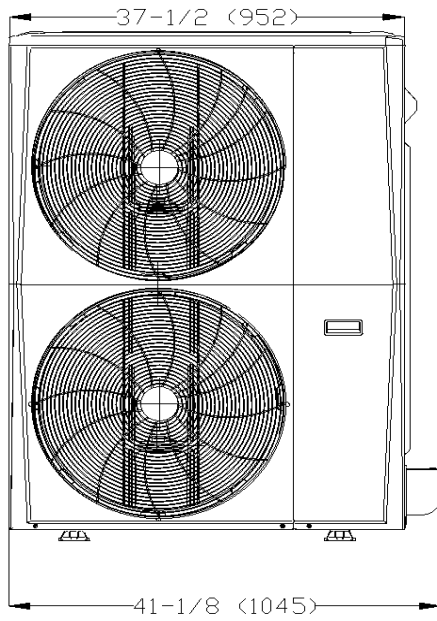


**Distance from ceiling relative to height of indoor unit**

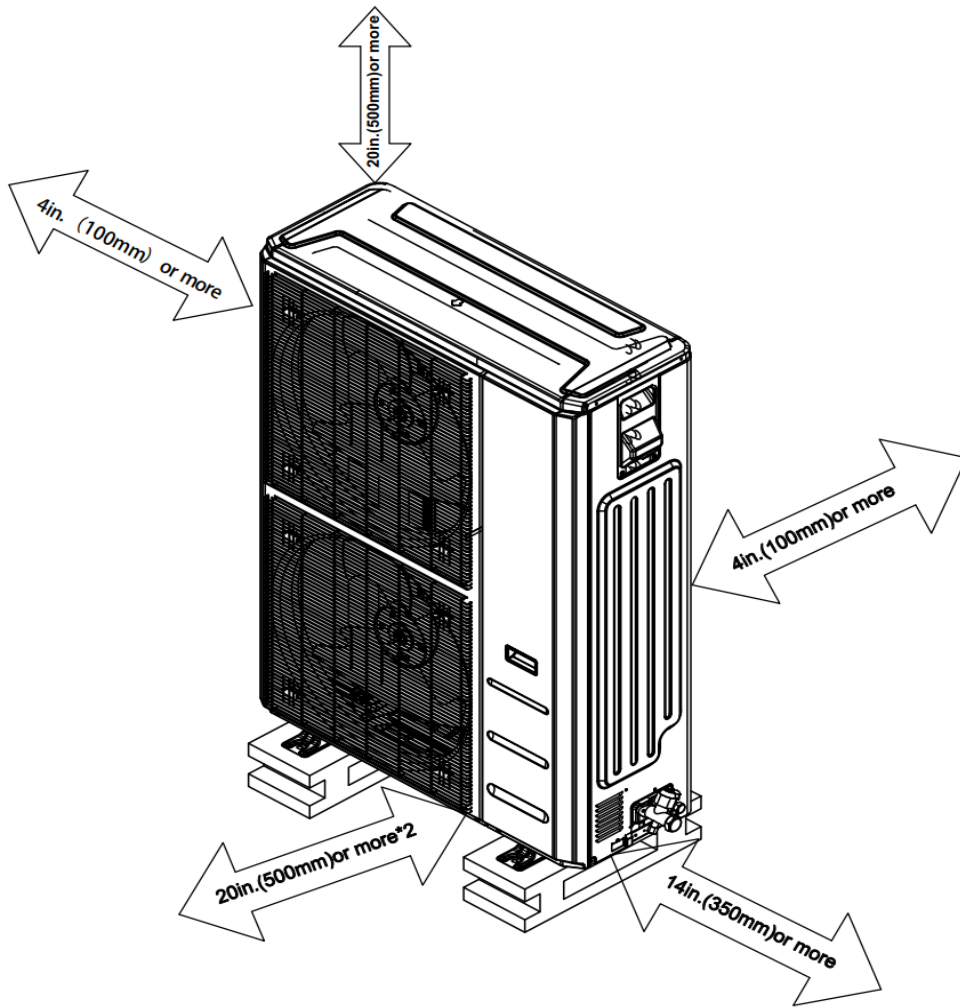
MODEL	Length of A	Length of H	Length of B
9K/12K/18K	9-5/8 in.(245mm)	>10-3/4 in.(275mm)	23-5/8 in.(600mm)
24K	8 in.(205mm)	9 in.(230mm)	
36K	9-5/8 in.(245mm)	10-3/4 in.(271mm)	
48K	11-1/4 in.(287mm)	12-1/4 in.(313mm)	

Outdoor Unit Dimension

Unit: inch (mm)



Installation Instruction



## FEATURES

- 360° Air Flow
- Remote on-off and alarm ports
- Refrigerant leakage detection sensor(Optional)
- Humidity sensor
- Built-in pump
- 1~100% fan speed setting
- WiFi capability: through WiFi dongle or wired controller with built-in WiFi
- OTA(by using WiFi dongle)
- 2-pin connector(HA/HB) for programmable wired controller
- Multiple control options available:
  - Two way communication wired controller:120N(X6)
  - Two way communication wired controller with built-in WiFi:120N(X6W)
  - Infrared wired controller: 120L
  - Wireless remote controller
  - Third-Party 24V Thermostat\*

\*24V interface is required.

## **North American HVAC Products Ltd.**

---

Add.: #100 5118 N Fraser Wy, Burnaby, BC V5J 0H1

Tel: 604-430-8496 [info@nahvac.com](mailto:info@nahvac.com) [www.nahvac.com](http://www.nahvac.com)

Midea reserves the right to change the specifications of the product, and to withdraw or replace products without prior notification or public announcement.  
Midea is constantly developing and improving its products.