

R454b
Refrigerant

SUBMITTAL DATA SHEET



Series Name: Multi Zone Indoor Unit Wall Mounted
Model Number: MSEHU-H06B-2A

Heat Pump System

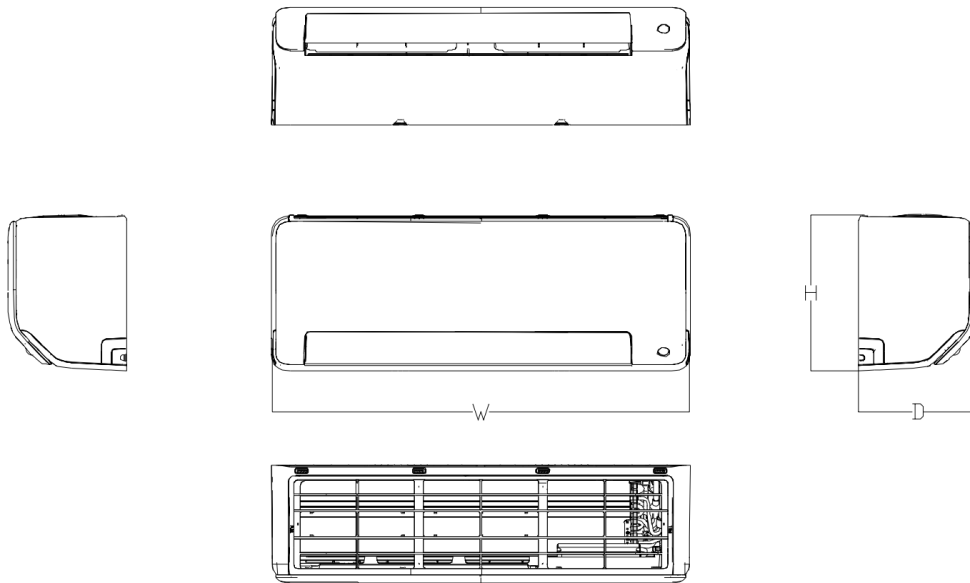
Location:	Approval:
Engineer:	Date:
Submitted to:	Construction:
Submitted by:	Unit #:
Reference:	Drawing #:



Item	Unit	Specification
Performance Data		
Cooling Capacity*	Btu/h	6,000
Heating Capacity*	Btu/h	7,000
Design Pressure	PSIG	550 / 340
Refrigerant Type	-	R454b
Liquid Side	inch(mm)	1/4" (6.35mm)
Gas Side	inch(mm)	3/8" (9.52mm)
Drain Pipe Size	inch(mm)	5/8" (16mm)
Indoor Operation Range of Cooling	Deg.°F (°C)	60°F~90°F (16°C~32°C)
Indoor Operation Range of Heating	Deg.°F (°C)	32°F~86°F (0°C~30°C)
Electrical		
Normal Operational Voltage	V, Ph, Hz	208/230V, 1Ph, 60Hz
Voltage Range	V	187-253
Connection Wiring	-	AWG 14/4
MCA	A	3.0
Indoor Fan Motor Model	-	ZKFP-20-8-6-7
Indoor Fan Motor Output	W	20
Indoor Fan Motor RLA	A	0.5
Indoor Fan Motor Speed(Hi/Mi/Lo)	r/min	1100 / 850 / 700
Air Flow & Noise Level		
Indoor Air Flow (H/M/L)	CFM	383 / 324 / 230 / 177 / 147
Indoor Noise Level (H/M/L)	dB(A)	44 / 37 / 33 / 22 / 20
Dimension (WxDxH)	inch	31-3/8 x 8-7/8 x 11-5/8
	mm	795 x 225 x 295
Package (WxDxH)	inch	36-1/4 x 12-1/4 x 14-5/8
	mm	920 x 310 x 370
Net Weight / Gross Weight	lbs	23 / 29
	kg	10.4 / 13.3

*Standard capacity of indoor unit is for reference, capacity varies based on Multi-zone system combinations.

Indoor Unit Dimension



Capacity	Body Code	Unit	W	D	H
6k~12k	B	mm	795	225	295
		inch	31-3/8	8-7/8	11-5/8
12k~18k	C	mm	965	239	319
		inch	38	9-3/8	12-1/2
24k~36k	D	mm	1140	275	370
		inch	44-7/8	10-7/8	14-1/2

North American HVAC Products Ltd.

Add.: #100 5118 N Fraser Wy, Burnaby, BC V5J 0H1

Tel: 604-430-8496 info@nahvac.com www.nahvac.com

Midea reserves the right to change the specifications of the product, and to withdraw or replace products without prior notification or public announcement.
Midea is constantly developing and improving its products.