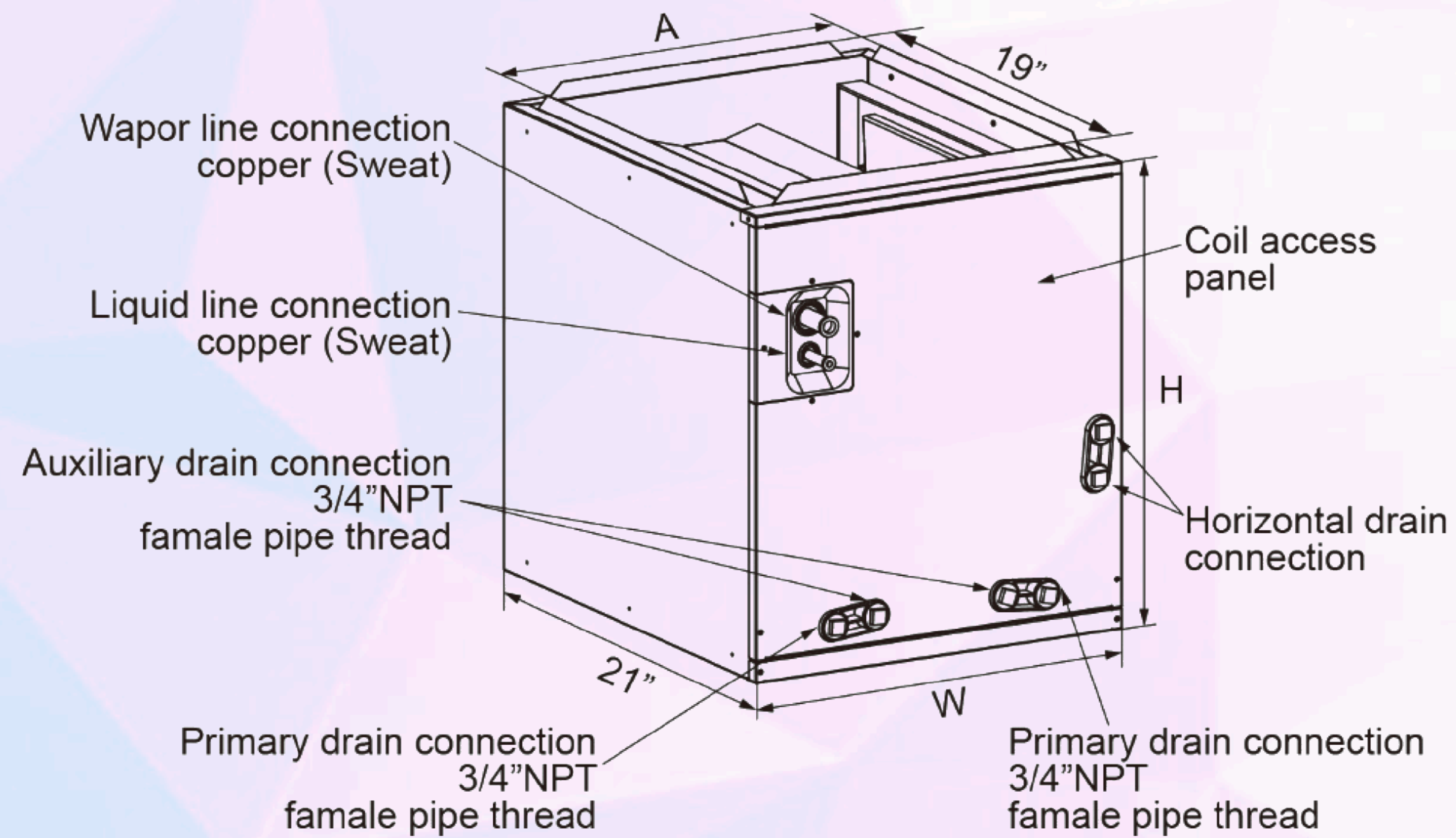




Dimensions



MCPM Series Indoor A Coil

*Cased and Painted, Multi-Position
Uncased, Upflow/downflow
Aluminum tubes
2.5-5 Ton*



Model	Unit Dimensions					Weight (lbs.)
	Unit height "H" (in.)	Unit width "W" (in.)	Supply duct "A" (in.)	"W1" (in.)	Liquid line/ Vapor line	
MCPM3036ANO	20	14-1/2	13	13-1/2	3/8 / 3/4	46
MCPM3036BNO	20	17-1/2	16	16-1/2	3/8 / 3/4	49
MCPM3036CNO	20	21	19-1/2	20	3/8 / 3/4	51
MCPM3642BNO	26	17-1/2	16	16-1/2	3/8 / 7/8	60
MCPM3642CNO	26	21	19-1/2	20	3/8 / 7/8	62
MCPM3642DNO	26	24-1/2	23	23-1/2	3/8 / 7/8	66
MCPM4248BNO	30	17-1/2	16	16-1/2	3/8 / 7/8	73
MCPM4248CNO	30	21	19-1/2	20	3/8 / 7/8	73
MCPM4248DNO	30	24-1/2	23	23-1/2	3/8 / 7/8	77
MCPM4860CNO	30	21	19-1/2	20	3/8 / 7/8	82
MCPM4860DNO	30	24-1/2	23	23-1/2	3/8 / 7/8	86

North American HVAC Ltd.

Address: 5118 North Fraser Way, #100, Burnaby, BC, Canada, V5J 0H1

Email: Info@nahvac.com

Tel: 604-430-8496

Web: www.nahvac.com



Note: Product specifications change from time to time as product improvements and developments are released and may vary from those in this document.



Midea All-aluminum Coil Makes Your Life More Comfortable.

What Midea aluminum coils will benefit you?

- The new generation A coil uses all-aluminum fins and tubes, which means high efficiency, anti-corrosion and longevity even installed in a corrosive environment.
- For daily maintenance, no need to worry about the maintenance will cost much time. With external port and inner coiled panel, it makes regular maintenance by yourself easy and quick.
- Of course, easy installation and multiple match with Midea unitary products are also advantages you will not miss.



- Midea high efficiency aluminum A coil will greatly reduce your cost for certain.
- Models with TXV pre-installed in factory are also available. Thermostatic Expansion Valve (TXV) simplifies field installation and precisely controls refrigerant flow for efficient cooling.

Features

All-aluminum tubes & fins

With our aluminum fins and high efficiency coils, you not only benefit from its durability, corrosion and rust protection, but also easy installation and longevity.

Multi-position

Cased coil has two drain pans, can satisfy multi-position installation.

Easy service

The panels allow you to clean fins easily and also TXV is easy to be installed without removing the panels.

Painted & insulated cabinet

The cabinet is painted to prevent rust and corrosion significantly, also thermally insulated with foil faced insulation to prevent sweating.

Widely match

Cased and uncased coils match Midea unitary products, it can flexibly fits you requirement.

Formicary corrosion free

The aluminum coils can greatly solve the problem of formicary corrosion.

Specifications

Model	MCPM3036ANO	MCPM3036BNO	MCPM3036CNO	MCPM3642BNO	MCPM3642CNO	MCPM3642DNO
INSTALLATION	Multiple position	Multiple position	Multiple position	Multiple position	Multiple position	Multiple position
SUPPLY DUCT(in.)	13	16	19-1/2	16	19-1/2	23
NOMINAL RATING						
Max. Cooling (BTU/h)	30,000/36,000	30,000/36,000	30,000/36,000	36,000/42,000	36,000/42,000	36,000/42,000
EVAPORATOR COIL						
Type	Tube & Fin	Tube & Fin	Tube & Fin	Tube & Fin	Tube & Fin	Tube & Fin
Tube Material	Aluminum	Aluminum	Aluminum	Aluminum	Aluminum	Aluminum
Tube Size(in.)	9/32	9/32	9/32	9/32	9/32	9/32
REFRIGERANT CONNECTION SIZE						
Liquid Line Size (O.D.)	3/8	3/8	3/8	3/8	3/8	3/8
Suction Line Size (O.D.)	3/4	3/4	3/4	7/8	7/8	7/8

Model	MCPM4248BNO	MCPM4248CNO	MCPM4248DNO	MCPM4860CNO	MCPM4860DNO
INSTALLATION	Multiple position	Multiple position	Multiple position	Multiple position	Multiple position
SUPPLY DUCT(in.)	16	19-1/2	23	19-1/2	23
NOMINAL RATING					
Max. Cooling (BTU/h)	42,000/48,000	42,000/48,000	42,000/48,000	48,000/60,000	48,000/60,000
EVAPORATOR COIL					
Type	Tube & Fin	Tube & Fin	Tube & Fin	Tube & Fin	Tube & Fin
Tube Material	Aluminum	Aluminum	Aluminum	Aluminum	Aluminum
Tube Size(in.)	9/32	9/32	9/32	9/32	9/32
REFRIGERANT CONNECTION SIZE					
Liquid Line Size (O.D.)	3/8	3/8	3/8	3/8	3/8
Suction Line Size (O.D.)	7/8	7/8	7/8	7/8	7/8