

R454b Refrigerant

SUBMITTAL DATA SHEET



Series Name: Slim Duct Energy Star Series
Model Number: MDLHU-H18B-2A/MO1E5-H18B-2A

Slim Duct Heat Pump System

Location:	Approval:
Engineer:	Date:
Submitted to:	Construction:
Submitted by:	Unit #:
Reference:	Drawing #:



INDOOR SPEINDOOR SPECIFICATIONCIFICATION

Indoor Air Flow (Turbo/H/M/L/Si) (CFM)	600 / 559 / 500 / 441 / 441
Indoor Noise Level (Turbo/H/M/L/Si) (dBA)	41 / 41 / 39 / 38 / 35
Indoor static pressure range (in.w.g.)	0-0.4
Dimension (WxDxH)	inch 34-5/8 x 26-1/2 x 8-1/4
	mm 880 x 674 x 210
Package (WxDxH)	inch 42-1/8 x 28-1/2 x 11
	mm 1070 x 725 x 280
Net/Gross Weight	lbs 54 / 66
	kg 24.7 / 30

OUTDOOR SPECIFICATION

Compressor Type	ROTARY
Compressor Model	KSN140D58UFZ
Refrigerant	R454B
Refrigerant Oil Charge(mL)	440
Refrigerant Oil	7.2
Outdoor Air Flow (Max) (CFM)	1,766
Outdoor Noise Level (dBA)	59
Dimension (WxDxH)	inch 35 x 13-1/2 x 26-1/2
	mm 890 x 342 x 673
Package (WxDxH)	inch 39-1/8 x 15-5/8 x 29-1/8
	mm 995 x 398 x 740
Net/Gross Weight	lbs 93 / 100
	kg 42.0 / 45.5

EFFICIENCY

Cooling		Heating	
SEER2	20.0	HSPF2-4	10.5
EER2	12.5	COP	3.47

PERFORMANCE of Cooling

Cooling (Btu/hr)	
Rated Capacity	17,000
Min/Max Capacity	7,000~19,000
Moisture Removal(L/h)	1.46
Standard Operating Range(°F/°C)	-13~122 (-25 ~ 50)
Conditions:	Indoor: 80°F DB/67°F WB Outdoor: 95°F DB/75°F WB

PERFORMANCE of Heating

Heating (Btu/hr)	
1. @ 47°F Rated	20,000
1. @ 47°F Min/Max Capacity	5,500~22,000
2. @ 17°F Rated	14,000
3. @ 5°F Rated: Capacity / COP	14,000/2.20
3. @ 5°F Max: Capacity	14,000
Standard Operating Range(°F/°C)	-13~75 (-25 ~ 24)
1. Conditions:	Indoor: 70°F DB/60°F WB Outdoor: 47°F DB/43°F WB
2. Conditions:	Indoor: 70°F DB/60°F WB Outdoor: 17°F DB/15°F WB
3. Conditions	Indoor: 70°F DB/60°F WB Outdoor: 5°F DB/5°F WB

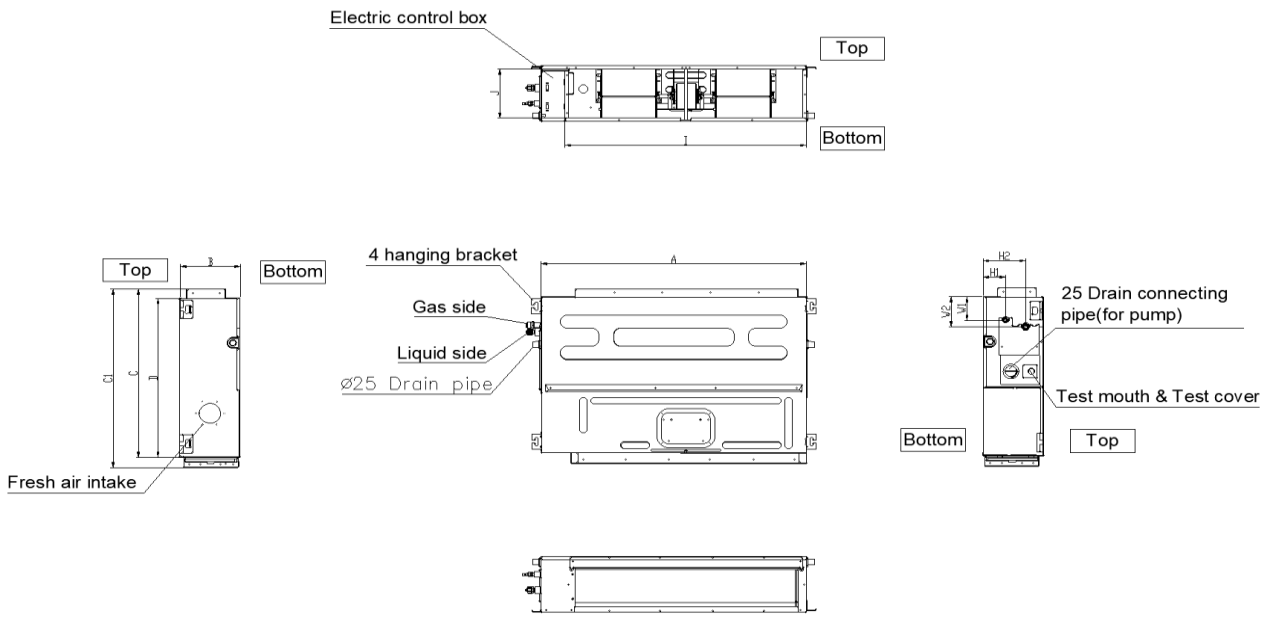
ELECTRICAL

Power Supply	208/230V,60Hz,1Ph
System MCA	18.0
Connection Wiring	AWG 14/4
System MOCP	20.0
Compressor RLA	10.0
Outdoor Fan Motor RLA	0.9
Outdoor Fan Motor W	80
Indoor Fan Motor RLA	1.2
Indoor Fan Motor W	165
System Power Input @ Cooling (W)	1,445 (600 ~ 1,750)
System Power Input @ Heating (W)	1,690 (330 ~ 1,850)
MCA: Min. circuit amps (A)	MOCP: Max. over current protection (A)
RLA: Rated load amps (A)	W: Fan motor rated output (W)

PIPING

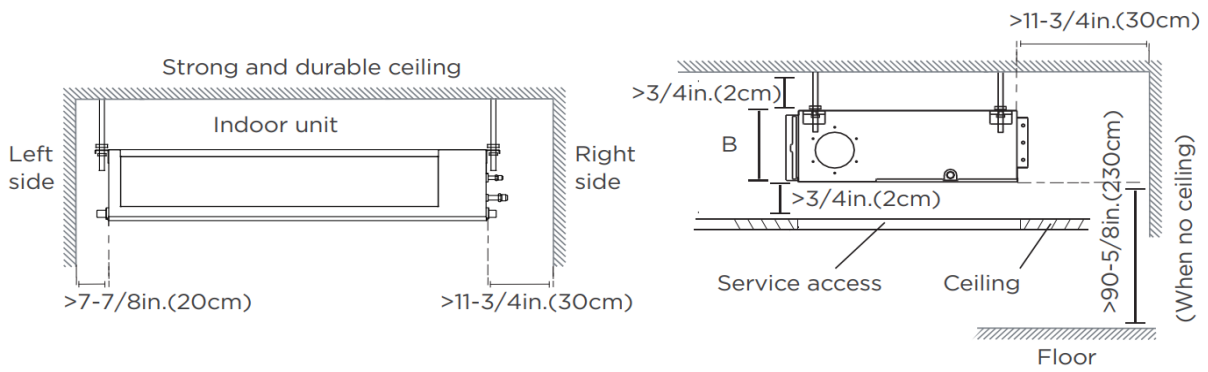
Throttle type(Indoor)	N/A
Throttle type(Outdoor)	EXV+Throttle valve
Liquid Size	3/8" (9.52mm)
Gas Size	5/8" (15.9mm)
Max. Piping Length(ft/m)	98 (30)
Max. Height Difference(ft/m)	66 (20)
Max. Pre-charged Length(ft/m)	25 (7.5)
Refrigerant Pre-charged Amount(oz/kg)	48 (1.36)
Additional Charge of Refrigerant((oz/ft)/(g/m)	0.16 (15)
Connection Method	Flared

Indoor Unit Dimension



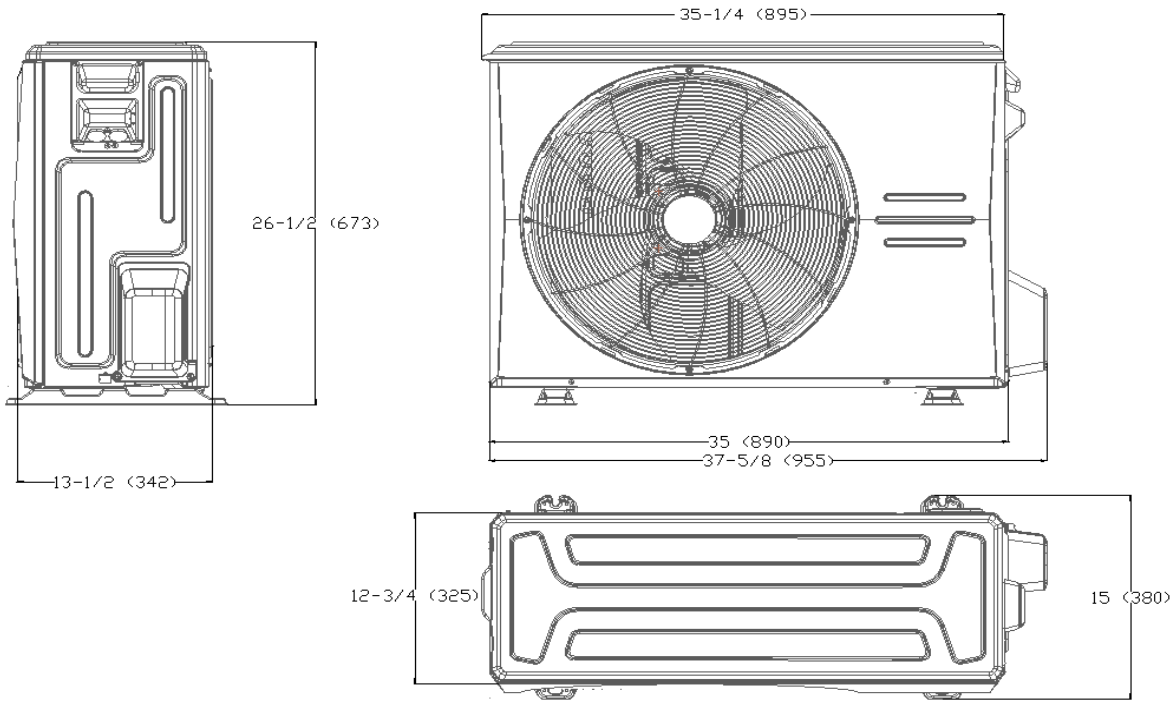
Model(kBtu/h)	unit	A	B	C	C1	D
	6 -12	mm	700	200	470	506
in		27-1/2	7-7/8	18-1/2	20	17-3/4
18	mm	880	210	634	674	600
	in	34-5/8	8-1/4	25	26-1/2	23-5/8

Installation Instruction

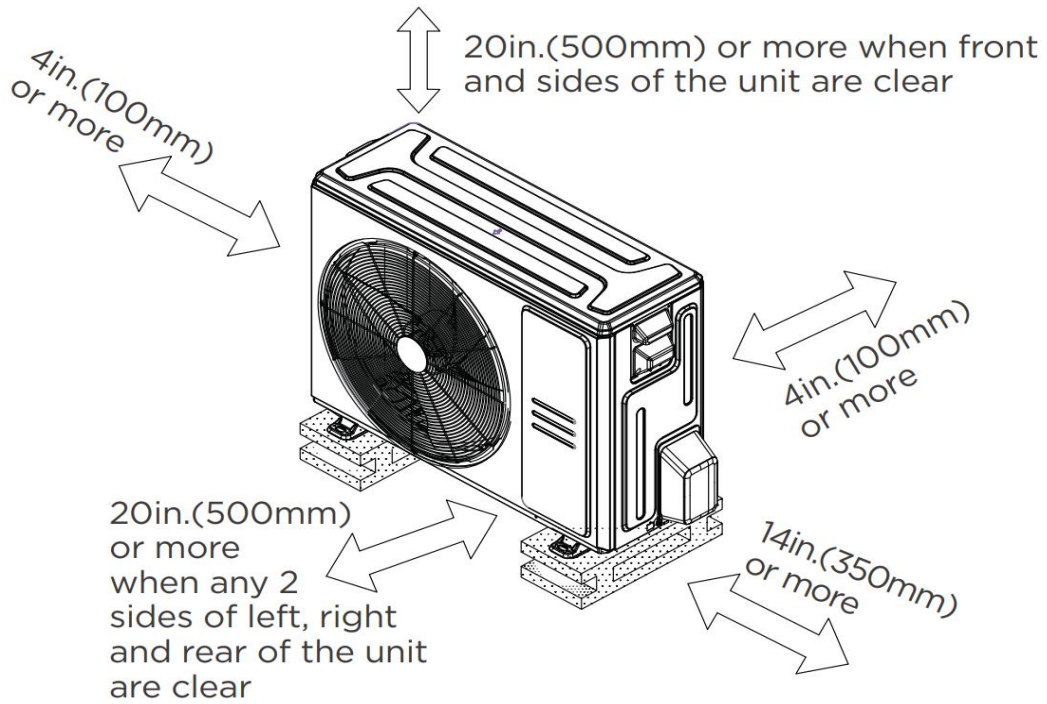


Outdoor Unit Dimension

Unit: inch (mm)

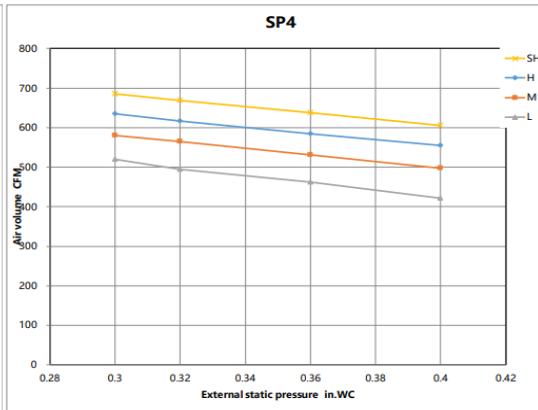
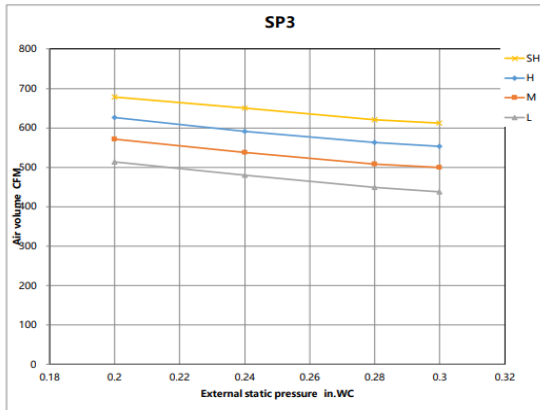
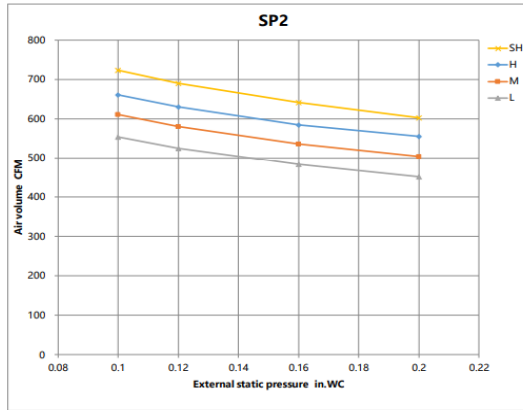
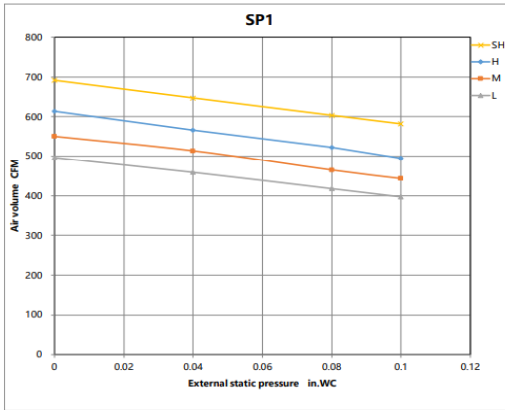


Installation Instruction

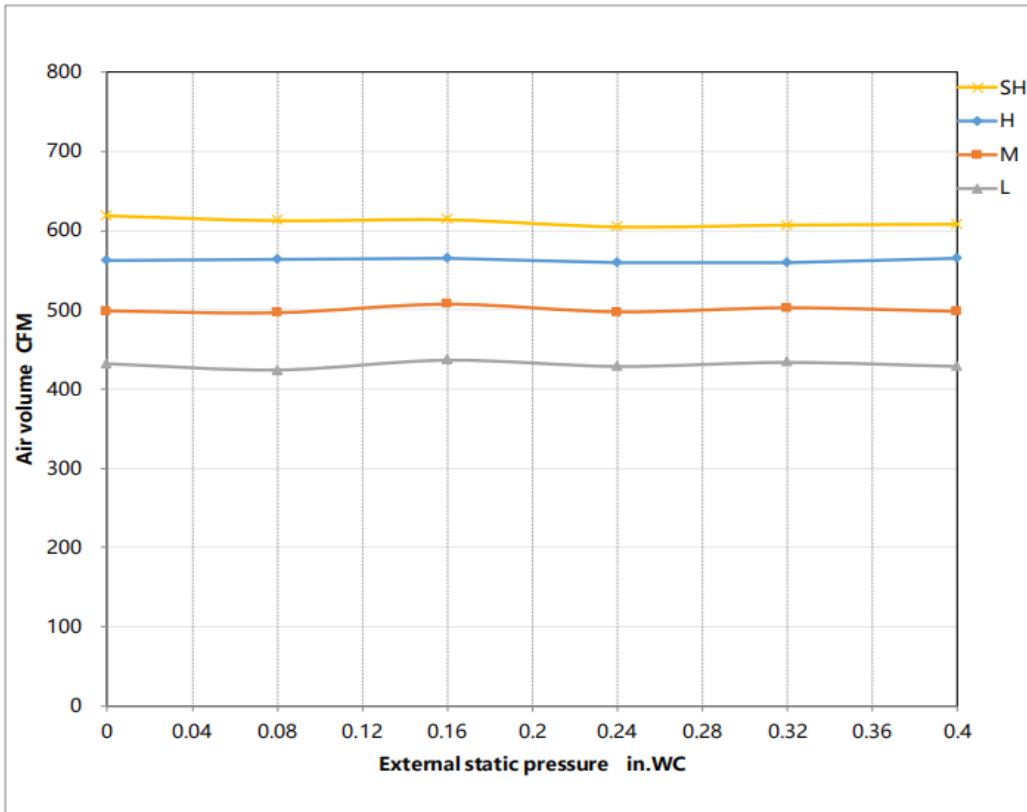


Fan performance

The default setting is SP1, which can be changed to SP2,3,4, using the wired controller.



Constant airflow



FEATURES

- Compatible with both horizontal and vertical installation(Optional)
- Static pressure setting stages: 4
- Refrigerant leakage detection sensor
- Constant airflow
- Built-in pump
- i-clean
- Fan speed stages: 1~100%
- WiFi capability: through WiFi dongle or wired controller with built-in WiFi
- OTA(by using wired controller 120N(X6W))
- 2-pin connector(HA/HB) for programmable wired controller
- Multiple control options available:
 - Two way communication wired controller:120N(X6)
 - Two way communication wired controller with built-in WiFi:120N(X6W)
 - Infrared wired controller: 120L
 - Wireless remote controller
 - Third-Party 24V Thermostat*

*24V interface is required.

North American HVAC Products Ltd.

Add.: #100 5118 N Fraser Wy, Burnaby, BC V5J 0H1

Tel: 604-430-8496 info@nahvac.com www.nahvac.com

Midea reserves the right to change the specifications of the product, and to withdraw or replace products without prior notification or public announcement.
Midea is constantly developing and improving its products.